

ETSI EN 301 908-3 V15.1.1 (2024-05)



**IMT cellular networks;
Harmonised Standard for access to radio spectrum;
Part 3: CDMA Direct Spread (UTRA FDD)
Base Stations (BS)
Release 15**

ReferenceREN/MSG-TFES-15-3

Keywords

3G, 3GPP, cellular, digital, E-UTRA, IMT, IMT-2000, IMT-Advanced, mobile, radio, regulation, UMTS, UTRA, WCDMA

ETSI650 Route des Lucioles
F-06921 Sophia Antipolis Cedex - FRANCE

Tel.: +33 4 92 94 42 00 Fax: +33 4 93 65 47 16

Siret N° 348 623 562 00017 - APE 7112B
Association à but non lucratif enregistrée à la
Sous-Préfecture de Grasse (06) N° w061004871

Important notice

The present document can be downloaded from:
<https://www.etsi.org/standards-search>

The present document may be made available in electronic versions and/or in print. The content of any electronic and/or print versions of the present document shall not be modified without the prior written authorization of ETSI. In case of any existing or perceived difference in contents between such versions and/or in print, the prevailing version of an ETSI deliverable is the one made publicly available in PDF format at www.etsi.org/deliver.

Users of the present document should be aware that the document may be subject to revision or change of status. Information on the current status of this and other ETSI documents is available at <https://portal.etsi.org/TB/ETSIDeliverableStatus.aspx>

If you find errors in the present document, please send your comment to one of the following services:
<https://portal.etsi.org/People/CommitteeSupportStaff.aspx>

If you find a security vulnerability in the present document, please report it through our Coordinated Vulnerability Disclosure Program:
<https://www.etsi.org/standards/coordinated-vulnerability-disclosure>

Notice of disclaimer & limitation of liability

The information provided in the present deliverable is directed solely to professionals who have the appropriate degree of experience to understand and interpret its content in accordance with generally accepted engineering or other professional standard and applicable regulations.

No recommendation as to products and services or vendors is made or should be implied. In no event shall ETSI be held liable for loss of profits or any other incidental or consequential damages.

Any software contained in this deliverable is provided "AS IS" with no warranties, express or implied, including but not limited to, the warranties of merchantability, fitness for a particular purpose and non-infringement of intellectual property rights and ETSI shall not be held liable in any event for any damages whatsoever (including, without limitation, damages for loss of profits, business interruption, loss of information, or any other pecuniary loss) arising out of or related to the use of or inability to use the software.

Copyright Notification

No part may be reproduced or utilized in any form or by any means, electronic or mechanical, including photocopying and microfilm except as authorized by written permission of ETSI.

The content of the PDF version shall not be modified without the written authorization of ETSI. The copyright and the foregoing restriction extend to reproduction in all media.

© ETSI 2024.
All rights reserved.

Contents

Intellectual Property Rights	6
Foreword.....	6
Modal verbs terminology.....	7
Introduction	7
1 Scope	8
2 References	8
2.1 Normative references	8
2.2 Informative references.....	9
3 Definition of terms, symbols and abbreviations.....	10
3.1 Terms.....	10
3.2 Symbols.....	12
3.3 Abbreviations	14
4 Technical requirements specifications	15
4.1 Environmental profile.....	15
4.2 Conformance requirements	15
4.2.1 Introduction.....	15
4.2.2 Spectrum emissions mask	19
4.2.2.1 Definition	19
4.2.2.2 Limit.....	19
4.2.2.3 Conformance.....	25
4.2.3 Adjacent Channel Leakage power Ratio (ACLR)	25
4.2.3.1 Definition	25
4.2.3.2 Limits	25
4.2.3.2.1 General	25
4.2.3.2.2 Absolute limits	25
4.2.3.2.3 Relative limits.....	26
4.2.3.3 Conformance.....	27
4.2.4 Transmitter spurious emissions.....	27
4.2.4.1 Definition	27
4.2.4.2 Limits	28
4.2.4.2.1 General spurious emissions limits	28
4.2.4.2.2 Co-existence with other systems	28
4.2.4.2.3 Void.....	31
4.2.4.2.4 Protection of the BS receiver of own or different BS	31
4.2.4.2.5 Co-existence with Home BS operating in other bands	32
4.2.4.3 Conformance.....	32
4.2.5 Base Station maximum output power	32
4.2.5.1 Definition	32
4.2.5.2 Limit.....	32
4.2.5.3 Conformance.....	32
4.2.6 Transmitter intermodulation	33
4.2.6.1 Definition	33
4.2.6.2 Limit.....	33
4.2.6.3 Conformance.....	34
4.2.7 Receiver spurious emissions	34
4.2.7.1 Definition	34
4.2.7.2 Limit.....	34
4.2.7.3 Conformance.....	34
4.2.8 Blocking characteristics	35
4.2.8.1 Definition	35
4.2.8.2 Limit.....	35
4.2.8.3 Conformance.....	39
4.2.9 Receiver intermodulation characteristics	39
4.2.9.1 Definition	39

4.2.9.2	Limit.....	39
4.2.9.3	Conformance.....	41
4.2.10	Receiver adjacent channel selectivity.....	41
4.2.10.1	Definition.....	41
4.2.10.2	Limit.....	41
4.2.10.3	Conformance.....	42
4.2.11	Home BS output power for adjacent channel protection.....	42
4.2.11.1	Definition.....	42
4.2.11.2	Limit.....	42
4.2.11.3	Conformance.....	42
4.2.12	Reference sensitivity level.....	43
4.2.12.1	Definition.....	43
4.2.12.2	Limit.....	43
4.2.12.3	Conformance.....	43
5	Testing for compliance with technical requirements.....	43
5.1	Environmental conditions for testing.....	43
5.2	Interpretation of measurement results.....	43
5.3	Essential radio test suites.....	43
5.3.0	Introduction.....	43
5.3.1	Spectrum emission mask (SEM).....	44
5.3.1.0	General.....	44
5.3.1.1	Initial conditions.....	44
5.3.1.2	Procedures.....	44
5.3.1.3	Test requirement.....	45
5.3.2	Adjacent Channel Leakage power Ratio (ACLR).....	45
5.3.2.1	Initial conditions.....	45
5.3.2.2	Procedure.....	45
5.3.2.3	Test requirement.....	46
5.3.3	Transmitter spurious emissions.....	46
5.3.3.0	General.....	46
5.3.3.1	Initial conditions.....	46
5.3.3.2	Procedure.....	46
5.3.3.3	Test requirement.....	47
5.3.4	Base Station maximum output power.....	47
5.3.4.0	General.....	47
5.3.4.1	Initial conditions.....	47
5.3.4.2	Procedure.....	47
5.3.4.3	Test requirement.....	48
5.3.5	Transmit intermodulation.....	48
5.3.5.0	General.....	48
5.3.5.1	Initial conditions.....	48
5.3.5.2	Procedures.....	48
5.3.5.3	Test requirement.....	49
5.3.6	Receiver spurious emissions.....	49
5.3.6.0	General.....	49
5.3.6.1	Initial conditions.....	49
5.3.6.2	Procedure.....	50
5.3.6.3	Test requirement.....	50
5.3.7	Blocking characteristics.....	50
5.3.7.0	General.....	50
5.3.7.1	Initial conditions.....	50
5.3.7.2	Procedure.....	51
5.3.7.3	Test requirement.....	52
5.3.8	Receiver intermodulation characteristics.....	52
5.3.8.0	General.....	52
5.3.8.1	Initial conditions.....	52
5.3.8.2	Procedures.....	52
5.3.8.3	Test requirement.....	53
5.3.9	Receiver adjacent channel selectivity (ACS).....	53
5.3.9.0	General.....	53
5.3.9.1	Initial conditions.....	53

5.3.9.2	Procedure	53
5.3.9.3	Test requirement	54
5.3.10	Home BS output power for adjacent channel protection	54
5.3.10.1	Initial conditions	54
5.3.10.2	Procedure	54
5.3.10.3	Test requirement	54
5.3.11	Reference sensitivity level	55
5.3.11.0	General	55
5.3.11.1	Initial Conditions.....	55
5.3.11.2	Procedure	55
5.3.11.3	Test requirement	55

Annex A (informative): Relationship between the present document and the essential requirements of Directive 2014/53/EU	56
--	-----------

Annex B (normative): Base Station configurations	58
---	-----------

B.1	Receive configurations	58
B.1.1	General	58
B.1.2	Receiver diversity.....	58
B.2	Duplexers	58
B.3	Power supply options	58
B.4	Ancillary RF amplifiers.....	59
B.5	BS using antenna arrays	59
B.5.0	Introduction	59
B.5.1	Receiver tests.....	60
B.5.2	Transmitter tests	60
B.6	Transmit configurations	60
B.6.1	General	60
B.6.2	Diversity and MIMO transmission.....	61
B.7	BS with integrated Iuant BS modem.....	61

Annex C (informative): Maximum Measurement Uncertainty.....	62
--	-----------

Annex D (informative): Checklist	64
---	-----------

Annex E (informative): Bibliography	65
--	-----------

Annex F (informative): Change history.....	66
---	-----------

History	67
---------------	----

Intellectual Property Rights

Essential patents

IPRs essential or potentially essential to normative deliverables may have been declared to ETSI. The declarations pertaining to these essential IPRs, if any, are publicly available for **ETSI members and non-members**, and can be found in ETSI SR 000 314: "*Intellectual Property Rights (IPRs); Essential, or potentially Essential, IPRs notified to ETSI in respect of ETSI standards*", which is available from the ETSI Secretariat. Latest updates are available on the ETSI Web server (<https://ipr.etsi.org/>).

Pursuant to the ETSI Directives including the ETSI IPR Policy, no investigation regarding the essentiality of IPRs, including IPR searches, has been carried out by ETSI. No guarantee can be given as to the existence of other IPRs not referenced in ETSI SR 000 314 (or the updates on the ETSI Web server) which are, or may be, or may become, essential to the present document.

Trademarks

The present document may include trademarks and/or tradenames which are asserted and/or registered by their owners. ETSI claims no ownership of these except for any which are indicated as being the property of ETSI, and conveys no right to use or reproduce any trademark and/or tradename. Mention of those trademarks in the present document does not constitute an endorsement by ETSI of products, services or organizations associated with those trademarks.

DECT™, **PLUGTESTS™**, **UMTS™** and the ETSI logo are trademarks of ETSI registered for the benefit of its Members. **3GPP™** and **LTE™** are trademarks of ETSI registered for the benefit of its Members and of the 3GPP Organizational Partners. **oneM2M™** logo is a trademark of ETSI registered for the benefit of its Members and of the oneM2M Partners. **GSM®** and the GSM logo are trademarks registered and owned by the GSM Association.

Foreword

This Harmonised European Standard (EN) has been produced by ETSI Technical Committee Mobile Standards Group (MSG).

For non EU countries, the present document may be used for regulatory (Type Approval) purposes.

The present document has been prepared under the Commission's standardisation request C(2015) 5376 final [i.1] to provide one voluntary means of conforming to the essential requirements of Directive 2014/53/EU on the harmonisation of the laws of the Member States relating to the making available on the market of radio equipment and repealing Directive 1999/5/EC [i.2].

Once the present document is cited in the Official Journal of the European Union under that Directive, compliance with the normative clauses of the present document given in table A-1 confers, within the limits of the scope of the present document, a presumption of conformity with the corresponding essential requirements of that Directive and associated EFTA regulations.

The present document is part 3 of a multi-part deliverable. Full details of the entire series can be found in part 1 [i.5].

National transposition dates	
Date of adoption of this EN:	7 May 2024
Date of latest announcement of this EN (doa):	31 August 2024
Date of latest publication of new National Standard or endorsement of this EN (dop/e):	28 February 2025
Date of withdrawal of any conflicting National Standard (dow):	28 February 2026

Modal verbs terminology

In the present document "**shall**", "**shall not**", "**should**", "**should not**", "**may**", "**need not**", "**will**", "**will not**", "**can**" and "**cannot**" are to be interpreted as described in clause 3.2 of the [ETSI Drafting Rules](#) (Verbal forms for the expression of provisions).

"**must**" and "**must not**" are **NOT** allowed in ETSI deliverables except when used in direct citation.

Introduction

The present document is part of a set of standards developed by ETSI that are designed to fit in a modular structure to cover radio equipment within the scope of the Radio Equipment Directive [i.2]. The present document is produced following the guidance in ETSI EG 203 336 [i.3] as applicable.

1 Scope

The present document specifies technical characteristics and methods of measurements for types of radio equipment:

- Base Stations for IMT 2000 CDMA Direct Spread (UTRA FDD).

These radio equipment types are capable of operating in whole or any part of the operating band(s) given in table 1-1.

Table 1-1: UTRA FDD Base Station operating bands

UTRA FDD band	Direction of transmission	UTRA FDD Base Station operating bands	Related EC/ECC decision
I	Transmit	2 110 MHz to 2 170 MHz	[i.8] and [i.9]
	Receive	1 920 MHz to 1 980 MHz	
III	Transmit	1 805 MHz to 1 880 MHz	[i.10] and [i.11]
	Receive	1 710 MHz to 1 785 MHz	
VII	Transmit	2 620 MHz to 2 690 MHz	[i.12] and [i.13]
	Receive	2 500 MHz to 2 570 MHz	
VIII	Transmit	925 MHz to 960 MHz	[i.10] and [i.11]
	Receive	880 MHz to 915 MHz	
XX	Transmit	791 MHz to 821 MHz	[i.14] and [i.15]
	Receive	832 MHz to 862 MHz	
XXII	Transmit	3 510 MHz to 3 590 MHz	[i.16] and [i.17]
	Receive	3 410 MHz to 3 490 MHz	
XXXII (see note)	Transmit	1 452 MHz to 1 496 MHz	[i.18] and [i.19]
	Receive	-	

NOTE: Radio equipment in band XXXII only operates in transmit mode (downlink only). Only transmitter requirements are applicable.

The present document covers conducted requirements for UTRA Base Stations for 3GPP Release 15. Additionally, it includes requirements for selected operating bands from 3GPP Releases 16 and 17.

NOTE: The relationship between the present document and essential requirements of article 3.2 of Directive 2014/53/EU [i.2] is given in annex A.

2 References

2.1 Normative references

References are either specific (identified by date of publication and/or edition number or version number) or non-specific. For specific references, only the cited version applies. For non-specific references, the latest version of the referenced document (including any amendments) applies.

Referenced documents which are not found to be publicly available in the expected location might be found at <https://docbox.etsi.org/Reference/>.

NOTE: While any hyperlinks included in this clause were valid at the time of publication, ETSI cannot guarantee their long term validity.

The following referenced documents are necessary for the application of the present document.

- [1] [ETSI TS 125 141 \(V15.4.0\) \(04-2019\)](#): "Universal Mobile Telecommunications System (UMTS); Base Station (BS) conformance testing (FDD) (3GPP TS 25.141 version 15.4.0 Release 15)".
- [2] [ETSI TS 145 004 \(V15.0.0\) \(07-2018\)](#): "Digital cellular telecommunications system (Phase 2+) (GSM); GSM/ EDGE Modulation (3GPP TS 45.004 version 15.0.0 Release 15)".
- [3] [ETSI TS 125 104 \(V15.5.0\) \(04-2019\)](#): "Universal Mobile Telecommunications System (UMTS); Base Station (BS) radio transmission and reception (FDD) (3GPP TS 25.104 version 15.5.0 Release 15)".

- [4] [ETSI EN 301 908-18 \(V15.1.1\) \(09-2021\)](#): "IMT cellular networks; Harmonised Standard for access to radio spectrum; Part 18: E-UTRA, UTRA and GSM/EDGE Multi-Standard Radio (MSR) Base Station (BS) Release 15".

2.2 Informative references

References are either specific (identified by date of publication and/or edition number or version number) or non-specific. For specific references, only the cited version applies. For non-specific references, the latest version of the referenced document (including any amendments) applies.

NOTE: While any hyperlinks included in this clause were valid at the time of publication, ETSI cannot guarantee their long term validity.

The following referenced documents are not necessary for the application of the present document but they assist the user with regard to a particular subject area.

- [i.1] [Commission implementing decision C\(2015\) 5376](#) final of 4.8.2015 on a standardisation request to the European Committee for Electrotechnical Standardisation and to the European Telecommunications Standards Institute as regards radio equipment in support of Directive 2014/53/EU of the European Parliament and of the Council.
- [i.2] [Directive 2014/53/EU](#) of the European parliament and of the council of 16 April 2014 on the harmonisation of the laws of the Member States relating to the making available on the market of radio equipment and repealing Directive 1999/5/EC.
- [i.3] ETSI EG 203 336 (V1.1.1) (08-2015): "Electromagnetic compatibility and Radio spectrum Matters (ERM); Guide for the selection of technical parameters for the production of Harmonised Standards covering article 3.1(b) and article 3.2 of Directive 2014/53/EU".
- [i.4] Void.
- [i.5] ETSI EN 301 908-1 (V15.1.1) (09-2021): "IMT cellular networks; Harmonised Standard for access to radio spectrum; Part 1: Introduction and common requirements Release 15".
- [i.6] ETSI TR 100 028 (all parts) (V1.4.1) (12-2001): "Electromagnetic compatibility and Radio spectrum Matters (ERM); Uncertainties in the measurement of mobile radio equipment characteristics".
- [i.7] Recommendation ITU-R SM.329-12 (09-2012): "Unwanted emissions in the spurious domain".
- [i.8] [Commission Implementing Decision \(EU\) 2020/667](#) of 6 May 2020 amending Decision 2012/688/EU as regards an update of relevant technical conditions applicable to the frequency bands 1 920-1 980 MHz and 2 110-2 170 MHz.
- [i.9] [ECC Decision \(06\)01](#): "The harmonised utilisation of the bands 1920-1980 MHz and 2110-2170 MHz for mobile/fixed communications networks (MFCN), including terrestrial IMT systems", Approved 24 March 2006, Amended 8 March 2019.
- [i.10] [Commission Implementing Decision \(EU\) 2022/173](#) of 7 February 2022 on the harmonisation of the 900 MHz and 1800 MHz frequency bands for terrestrial systems capable of providing electronic communications services in the Union and repealing Decision 2009/766/EC.
- [i.11] [ECC Decision \(06\)13](#): "Designation of the bands 880-915 MHz, 925-960 MHz, 1710-1785 MHz and 1805-1880 MHz for terrestrial UMTS, LTE, WiMAX and IoT cellular systems", Approved 01 December 2006, Amended 8 March 2019.
- [i.12] [Commission Implementing Decision \(EU\) 2020/636](#) of 8 May 2020 amending Decision 2008/477/EC as regards an update of relevant technical conditions applicable to the 2 500-2 690 MHz frequency band.
- [i.13] [ECC Decision 05\(05\)](#): "Harmonised utilization of spectrum for Mobile/Fixed Communications Networks (MFCN) operating within the band 2 500-2 690 MHz", Approved 18 March 2005, Amended 05 July 2019.

- [i.14] [Commission Decision 2010/267/EU](#) of 6 May 2010 on harmonised technical conditions of use in the 790-862 MHz frequency band for terrestrial systems capable of providing electronic communications services in the European Union.
- [i.15] [ECC Decision \(09\)03](#): "Harmonised conditions for mobile/fixed communications networks (MFCN) operating in the band 790 - 862 MHz", 30 October 2009.
- [i.16] [Commission implementing Decision \(EU\) 2019/235](#) of 24 January 2019 on amending Decision 2008/411/EC as regards an update of relevant technical conditions applicable to the 3 400-3 800 MHz frequency band.
- [i.17] [ECC Decision 11\(06\)](#): "Harmonised frequency arrangements and least restrictive technical conditions (LRTC) for mobile/fixed communications networks (MFCN) operating in the band 3400-3800 MHz", Approved 09 December 2011, Amended 26 October 2018.
- [i.18] [Commission Implementing Decision \(EU\) 2018/661](#) of 26 April 2018 amending Implementing Decision (EU) 2015/750 on the harmonisation of the 1452-1492 MHz frequency band for terrestrial systems capable of providing electronic communications services in the Union as regards its extension in the harmonised 1427-1452 MHz and 1492-1517 MHz frequency bands.
- [i.19] [ECC Decision \(13\)03](#): "The harmonised use of the frequency band 1 452-1 492 MHz for Mobile/Fixed Communications Networks Supplemental Downlink (MFCN SDL)".
- [i.20] ETSI TR 103 877 (V1.1.1): "Task Force for European Standards for IMT-2000 (MSG); Technical Parameter selection in ETSI EN 301 908 Base Station (BS) Harmonised Standards".
- [i.21] ETSI TS 103 807 (V1.1.1) (06-2021): "Mobile Standards Group (MSG); IMT Cellular Networks Base Stations (BS) Additional Regulatory Requirements".

3 Definition of terms, symbols and abbreviations

3.1 Terms

For the purposes of the present document, the following terms apply:

ancillary equipment: equipment (apparatus) used in connection with a Base Station

NOTE: This is considered as an ancillary equipment (apparatus) if:

- the equipment is intended for use in conjunction with a Base Station to provide additional operational and/or control features to the radio equipment (e.g. to extend control to another position or location);
- the equipment cannot be used on a standalone basis to provide user functions independently of a BS; and
- the BS to which it is connected, is capable of providing some intended operation, such as transmitting and/or receiving without the ancillary equipment (i.e. it is not a sub-unit of the main equipment essential to the main equipment basic functions).

Base Station (BS) class: classification of BS according to its intended use

NOTE: There are three BS classes in the present document: wide area Base Station, medium range Base Station and local Area Base Station.

BS receiver: composite receiver function of a BS receiving in an operating band

BS RF Bandwidth: RF bandwidth in which a base station transmits and/or receives single or multiple carrier(s) within a supported operating band

NOTE: In single carrier operation, the Base Station RF Bandwidth is equal to the channel bandwidth.

BS RF bandwidth edge: frequency of one of the edges of the BS RF Bandwidth

NOTE: Base Station RF Bandwidth edges are separated by the Base Station RF Bandwidth.

channel bandwidth: RF bandwidth supporting a single UTRA RF carrier

NOTE: The channel bandwidth is measured in MHz and is used as a reference for transmitter and receiver RF requirements.

chip rate: rate of "chips" (modulated symbols after spreading) per second

NOTE: The UTRA FDD chip rate is 3,84 Mchip/s.

contiguous carriers: set of two or more carriers configured in a spectrum block where there are no RF requirements based on co-existence for un-coordinated operation within the spectrum block

contiguous spectrum: spectrum consisting of a contiguous block of spectrum with no sub-block gap(s)

downlink operating band: part of the operating band designated for downlink (BS transmit)

environmental profile: range of environmental conditions under which equipment, within the scope of the present document, is required to comply with the provisions of the present document

home Base Station: Base Station characterized by requirements derived from femtocell scenarios

inter-band gap: frequency gap between two supported consecutive operating bands

inter RF bandwidth gap: frequency gap between two consecutive BS RF Bandwidths that are placed within two supported operating bands

Local Area Base Station: Base Station characterized by requirements derived from picocell scenarios with a BS to UE minimum coupling loss equal to 45 dB

lower sub-block edge: frequency at the lower edge of one sub-block

NOTE: It is used as a frequency reference point for both transmitter and receiver requirements.

maximum BS RF bandwidth: maximum RF bandwidth supported by a BS within each supported operating band

maximum output power per carrier: mean power level per carrier of the Base Station measured at the antenna connector in a specified reference condition

maximum radio bandwidth: maximum frequency difference between the upper edge of the highest used carrier and the lower edge of the lowest used carrier

mean power: power (transmitted or received) in a bandwidth of at least $(1 + \alpha)$ times the chip rate of the radio access mod, when applied to a WCDMA-modulated signal

NOTE 1: The period of measurement is at least one timeslot unless otherwise stated.

NOTE 2: $\alpha = 0,22$ is the roll-off factor of the WCDMA signal.

medium range Base Station: Base Station characterized by requirements derived from microcell scenarios with a BS to UE minimum coupling loss equal to 53 dB

MIMO mode: downlink MIMO configuration with two transmit antennas

MIMO mode with four transmit antennas: downlink MIMO configuration with four transmit antennas

minimum coupling loss: minimum distance loss including antenna gain, measured between antenna connectors

multi-band Base Station: Base Station characterized by the ability of its transmitter and/or receiver to process two or more carriers in common active RF components simultaneously, where at least one carrier is configured at a different operating band (which is not a sub-band or superseding-band of another supported operating band) than the other carrier(s)

multi-band receiver: receiver characterized by the ability to process two or more carriers in common active RF components simultaneously, where at least one carrier is configured at a different operating band (which is not a sub-band or superseding-band of another supported operating band) than the other carrier(s)

multi-band transmitter: transmitter characterized by the ability to process two or more carriers in common active RF components simultaneously, where at least one carrier is configured at a different operating band (which is not a sub-band or superseding-band of another supported operating band) than the other carrier(s)

multi-carrier transmission configuration: set of one or more contiguous or non-contiguous carriers that a BS is able to transmit simultaneously according to the manufacturer's specification

non-contiguous spectrum: spectrum consisting of two or more sub-blocks separated by sub-block gap(s)

operating band: frequency range that is defined with a specific set of technical requirements, in which UTRA FDD operates

NOTE: The operating band(s) is declared by the manufacturer according to the designations in table 1-1.

output power: mean power of one carrier of the Base Station, delivered to a load with resistance equal to the nominal load impedance of the transmitter

rated output power: mean power level per carrier that the manufacturer has declared to be available at the antenna connector

rated total output power: mean power level that the manufacturer has declared to be available at the antenna connector

RRC filtered mean power: mean power as measured through a root raised cosine filter with roll-off factor α and a bandwidth equal to the chip rate of the radio access mode

NOTE: The RRC filtered mean power of a perfectly modulated WCDMA signal is 0,246 dB less than the mean power of the same signal.

sub-band: part of the uplink and downlink frequency range of the operating band

sub-block: one contiguous allocated block of spectrum for use by the same Base Station

NOTE: There may be multiple instances of sub-blocks within a BS RF Bandwidth.

sub-block bandwidth: RF bandwidth of one sub-block

sub-block gap: frequency gap between two consecutive sub-blocks within a BS RF Bandwidth, where the RF requirements in the gap are based on co-existence for un-coordinated operation

superseding-band: band that includes the whole of the uplink and downlink frequency range of the operating band

Total RF bandwidth: maximum sum of BS RF Bandwidths in all supported operating bands

uplink operating band: part of the operating band designated for uplink (BS receive)

upper sub-block edge: frequency at the higher edge of one sub-block

NOTE: It is used as a frequency reference point for both transmitter and receiver requirements.

wide area Base Station: Base Station characterized by requirements derived from Macro Cell scenarios with a BS to UE minimum coupling loss equal to 70 dB

NOTE: This Base Station class has the same requirements as the general purpose Base Station in Releases 99, 4 and 5.

3.2 Symbols

For the purposes of the present document, the following symbols apply:

α Roll-off factor

Δf Frequency offset of the measurement filter -3 dB point

NOTE: As defined in clause 4.2.2.2.

Δf_{\max}	The largest value of Δf used for defining the requirement
B	Appropriate frequency in the Bottom of the operating band of the BS
B_{RFBW}	Maximum BS RF Bandwidth located at the bottom of the supported frequency range in each operating band
BW_{\max}	Maximum Radio Bandwidth
BW_{tot}	Total RF Bandwidth
CPICH \hat{E}_c	Common Pilot Channel code power (on the adjacent channel)
E_b	Average energy per information bit
E_c	Total energy per PN chip
F_{filter}	Filter centre frequency
F_{high}	The highest BS transmit frequency of the downlink operating band
F_{low}	The lowest BS transmit frequency of the downlink operating band
F_{uw}	Frequency offset of unwanted signal
I_{oh}	Total received power density excluding own Home BS signal
luant	BS internal logical interface between the implementation specific O&M function and the RET antennas and TMAs control unit function of the BS
f	Frequency
$F_{\text{DL_low}}$	The lowest frequency of the downlink operating band
$F_{\text{DL_high}}$	The highest frequency of the downlink operating band
$F_{\text{DL_Offset}}$	The offset parameter used to calculate the UARFCN
$F_{\text{UL_low}}$	The lowest frequency of the uplink operating band
$F_{\text{UL_high}}$	The highest frequency of the uplink operating band
$F_{\text{UL_Offset}}$	The offset parameter used to calculate the UARFCN
M	Appropriate frequency in the Middle of the operating band of the BS
M_{RFBW}	Maximum BS RF Bandwidth located in the middle of the supported frequency range in each operating band
$P_{\max,c}$	Maximum output power (per carrier)
P_{out}	Output power
$P_{\text{rated,c}}$	Rated output power (per carrier)
$P_{\text{rated,t}}$	Rated total output power
P_{REFSENS}	Reference sensitivity power level
T	Appropriate frequency in the Top of the operating band of the BS
T_{RFBW}	Maximum BS RF Bandwidth located at the top of the supported frequency range in each operating band
W_{gap}	Sub-block gap or Inter RF Bandwidth gap size

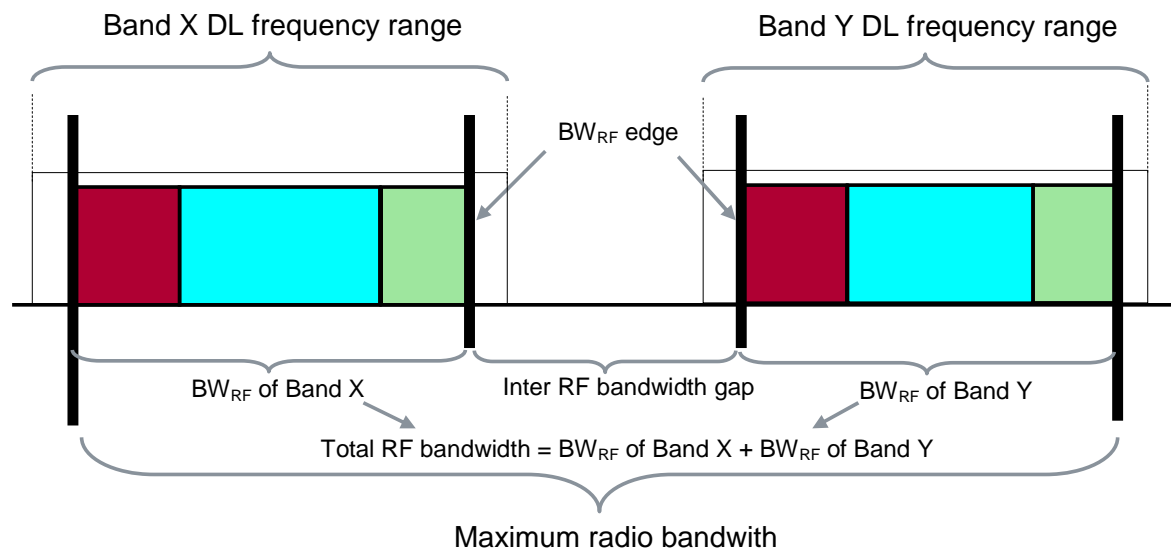


Figure 3.2-1: Illustration of Maximum Radio Bandwidth BW_{\max} and Total RF Bandwidth for Multi-band Base Station BW_{tot}

3.3 Abbreviations

For the purposes of the present document, the following abbreviations apply:

ACLR	Adjacent Channel Leakage power Ratio
ACS	Adjacent Channel Selectivity
AWGN	Additive White Gaussian Noise
BER	Bit Error Ratio
BS	Base Station
BTS	Base Transceiver Station
CACLR	Cumulative ACLR
CDMA	Code Division Multiple Access
CEPT	Conférence Européenne des administrations des Postes et des Télécommunications
CPICH	Common Pilot CHannel
CW	Continuous Wave
DB-DC	Dual Band and Dual Carrier
DC	Direct Current
DL	Down Link (forward link)
DPCH	Dedicated Physical CHannel
DTT	Digital Terrestrial Television
DUT	Device Under Test
EC	European Commission
ECC	Electronic Communications Committee
EFTA	European Free Trade Association
EUT	Equipment Under Test
E-UTRA	Evolved UTRA
FDD	Frequency Division Duplexing
GMSK	Gaussian Minimum Shift Keying
GSM	Global System for Mobile communications
HARQ	Hybrid Automatic Repeat reQuest
HSDPA	High-Speed Downlink Packet Access
IMT	International Mobile Telecommunications
LNA	Low Noise Amplifier
MIMO	Multiple Input Multiple Output
MS	Mobile Station
MSR	Multi-Standard Radio
NC	Non-Contiguous

NR	New Radio
O&M	Operation and Maintenance
PN	Pseudo random Noise
RAT	Radio Access Technology
RET	Remote Electrical Tilt
RF	Radio Frequency
RMS	Root Mean Square
RRC	Root-Raised Cosine
RX	Receiver
SEM	Spectrum Emission Mask
TDD	Time Division Duplexing
TMA	Tower Mounted Amplifier
TPC	Transmitter Power Control
TX	Transmitter
UARFCN	UTRA Absolute Radio Frequency Channel Number
UE	User Equipment
UL	Up Link (reverse link)
UMTS	Universal Mobile Telecommunications System
UTRA	Universal Terrestrial Radio Access
WCDMA	Wideband Code Division Multiple Access

4 Technical requirements specifications

4.1 Environmental profile

The technical requirements of the present document apply under the environmental profile for operation of the equipment, which shall be in accordance with its intended use. The equipment shall comply with all the technical requirements of the present document at all times when operating within the boundary limits of the operational environmental profile defined by its intended use.

The operational environmental profile shall at least contain all environmental conditions in the test environments referenced from the essential radio test suites in clause 5 of the present document.

4.2 Conformance requirements

4.2.1 Introduction

The requirements in the present document are based on the assumption that the operating band (see table 1-1) is shared between systems of the IMT family (for bands III and VIII, also GSM) or systems having compatible characteristics.

To meet the essential requirement under article 3.2 of Directive 2014/53/EU [i.2] for IMT Base Stations (BSs), a set of essential parameters in addition to those in ETSI EN 301 908-1 [i.5] have been identified. Table 4.2.1-1 provides a cross-reference between these essential parameters and the corresponding technical requirements for equipment within the scope of the present document.

Table 4.2.1-1: Cross-references

Essential parameter	Corresponding technical requirements	Corresponding test suite
Transmitter spectrum mask	4.2.2 Spectrum emissions mask	5.3.1
Transmitter unwanted emissions in the out of band domain	4.2.3 Adjacent Channel Leakage power Ratio (ACLR)	5.3.2
	4.2.11 Home BS output power for adjacent channel protection	5.3.10
Transmitter unwanted emissions in the spurious domain	4.2.4 Transmitter spurious emissions	5.3.3
Transmitter power accuracy	4.2.5 Base Station maximum output power	5.3.4
Transmitter intermodulation attenuation	4.2.6 Transmit intermodulation	5.3.5
Receiver unwanted emissions in the spurious domain	4.2.7 Receiver spurious emissions	5.3.6
Receiver blocking	4.2.8 Blocking characteristics	5.3.7
Receiver desensitization		
Receiver radio-frequency intermodulation	4.2.9 Receiver intermodulation characteristics	5.3.8
Receiver adjacent channel selectivity	4.2.10 Receiver Adjacent Channel Selectivity (ACS)	5.3.9
Receiver sensitivity	4.2.12 Reference sensitivity level	5.3.11

NOTE: Additional requirements arising from EC/CEPT spectrum regulatory framework that apply to specific equipment applicable to specific cases in certain countries and/or in certain geographical areas are addressed in ETSI TS 103 807 [i.21].

The applicable limits are identified based on the following information included in the technical documentation of the radio equipment:

- The intended BS class of the base station under test, according to clause 4.3A in ETSI TS 125 141 [1].
- The supported RF configurations according to clause 4.11.6 in ETSI TS 125 141 [1].

All the parameters declared by the manufacturer shall correspond to the intended use of the equipment.

The technical requirements also apply to the BS configurations described in annex B of the present document.

For a band supported by a Base Station where the transmitted carriers are not processed in active RF components together with carriers in any other band, single-band transmitter requirements shall apply. For a band supported by a Base Station where the received carriers are not processed in active RF components together with carriers in any other band, single-band receiver requirements shall apply.

The technical requirements in the present document apply for Base Stations supporting UTRA FDD, for the Base Station class and the operating band(s) as outlined for each requirement. For a Base Station supporting more than one operating band, compliance with each technical requirement in clause 4 shall be fulfilled for each *operating band*.

The following arrangements apply for receiver requirements in clause 4.2:

- Requirements shall be met with the transmitter unit(s) transmitting data and/or reference symbols.
- Throughput requirements defined for the receiver characteristics do not assume HARQ retransmissions.
- When BS is configured to receive multiple carriers, all the BER requirements are applicable for each received carrier.
- For ACS, blocking and intermodulation characteristics, the negative offsets of the interfering signal apply relative to the lower *Base Station RF Bandwidth* edge or *sub-block* edge inside a *sub-block gap*, and the positive offsets of the interfering signal apply relative to the upper *Base Station RF Bandwidth* edge or *sub-block* edge inside a *sub-block gap*.

For BS capable of multi-band operation, the technical requirements in the present clause shall apply for each supported operating band. For some requirements, it is explicitly stated that specific additions or exclusions to the requirement apply for BS capable of multi-band operation.

For BS capable of multi-band operation, various structures in terms of combinations of different transmitter and receiver implementations (multi-band or single-band) with mapping of transceivers to one or more antenna connector(s) in different ways are possible. For *multi-band connector(s)* the exclusions or provisions for multi-band shall apply. In the case where multiple bands are mapped on separate antenna connectors, the following apply:

- Single-band ACLR, spectrum emission mask, transmitter spurious emissions, transmitter intermodulation and receiver spurious emissions requirements shall apply to this antenna connector that is mapped to single-band.
- If the BS is configured for single-band operation, single-band requirements shall apply to the antenna connector configured for single-band operation, and no exclusions or provisions for multi-band capable BS are applicable. Single-band requirements are tested separately at the antenna connector configured for single-band operation, with all other antenna connectors terminated.

For BS supports multiple multi-band combinations, the test(s) shall be applied using the following principles:

- 1) The supported multi-band combination covering the widest maximum radio bandwidth should be tested.
- 2) Among the remaining supported multi-band combinations, the following ones should also be tested:
 - Those with the highest supported rated total output power (per band or per band combination).
 - Those with the highest total number of supported carriers (per band or per band combination).
 - Those with the widest supported BS RF Bandwidth (per band).

For a UTRA FDD BS additionally conforming to ETSI EN 301 908-18 [4], conformance with the technical requirements listed in table 4.2.1-1 can equally be demonstrated through the corresponding technical requirements and test suites in ETSI EN 301 908-18 [4], as listed in table 4.2.1-2.

When conformance is demonstrated through the corresponding test suites in ETSI EN 301 908-18 [4] for these technical requirements, the test suites in the present document need not be performed.

Table 4.2.1-2: Alternative technical requirements and test suites in ETSI EN 301 908-18 [4] that can equally be used for demonstrating BS conformance

Technical requirement in the present document	Corresponding technical requirements in ETSI EN 301 908-18 [4]	Corresponding test suites in ETSI EN 301 908-18 [4]
4.2.2 Spectrum emissions mask	4.2.2 Operating band unwanted emissions	5.3.1 Operating band unwanted emissions
4.2.3 Adjacent Channel Leakage power Ratio (ACLR)	See note 1	See note 1
4.2.4 Transmitter spurious emissions	4.2.4 Transmitter spurious emissions	5.3.3 Transmitter spurious emissions
4.2.5 Base Station maximum output power	4.2.5 Base station maximum output power	5.3.4 Base station maximum output power
4.2.6 Transmit intermodulation	4.2.6 Transmit intermodulation	5.3.5 Transmit intermodulation
4.2.7 Receiver spurious emissions	4.2.7 Receiver spurious emissions	5.3.6 Receiver spurious emissions
4.2.8 Blocking characteristics	4.2.8 In-band blocking	5.3.7 In-band blocking
	4.2.9 Out-of-band blocking	5.3.8 Out-of-band blocking
4.2.9 Receiver intermodulation characteristics	4.2.10 Receiver intermodulation characteristics	5.3.9 Receiver intermodulation characteristics
4.2.10 Receiver adjacent channel selectivity	4.2.11 Narrowband blocking	5.3.10 Narrowband blocking
4.2.12 Reference sensitivity level	See note 2	See note 2
NOTE 1: Conformance with the UTRA ACLR requirement is for an MSR BS demonstrated through the requirement in clause 4.2.3 of the present document and the corresponding test suite in clause 5.3.2.		
NOTE 2: Conformance with the reference sensitivity level requirement is for an MSR BS demonstrated through the requirement in clause 4.2.12 of the present document and the corresponding test suite in clause 5.3.11.		

UTRA is designed to operate in multi-carrier and band combinations defined in tables 4.2.1-3 to 4.2.1-6.

Table 4.2.1-3: Dual-Band Dual-Carrier HSDPA (DB-DC-HSDPA) configurations

DB-DC-HSDPA Configuration	UL Band	DL Bands
1	I or VIII	I and VIII
6	I	I and XXXII

Table 4.2.1-4: Single-band 4-Carrier HSDPA (4C-HSDPA) configurations

Single-band 4C-HSDPA Configuration	Operating Band	Number of DL carriers
I-3	I	3
NOTE: Single-band 4C-HSDPA configuration is numbered as (X-M), where X denotes the operating band, and M denotes the number of DL carriers.		

Table 4.2.1-5: Dual band 4-Carrier HSDPA (DB-4C-HSDPA) configurations

Dual band 4C-HSDPA Configuration	UL Band	DL Band A	Number of DL carriers in Band A	DL Band B	Number of DL carriers in Band B
I-2-VIII-1	I or VIII	I	2	VIII	1
I-3-VIII-1	I or VIII	I	3	VIII	1
I-2-VIII-2	I or VIII	I	2	VIII	2
I-1-VIII-2	I or VIII	I	1	VIII	2
I-1-XXXII-2	I	I	1	XXXII	2
I-2-XXXII-1	I	I	2	XXXII	1
NOTE: Dual band 4C-HSDPA configuration is numbered as (X-M-Y-N) where X denotes the DL Band A, M denotes the number DL carriers in the DL Band A, Y denotes the DL Band B, and N denotes the number of DL carriers in the DL Band B.					

Table 4.2.1-6: Single-band 8C-HSDPA configurations

Single-band 8C-HSDPA Configuration	Operating Band	Number of DL carriers
I-8	I	8
NOTE: Single-band 8C-HSDPA configuration is numbered as (X-M), where X denotes the operating band, and M denotes the number of DL carriers.		

UTRA is designed to operate in non-contiguous spectrum operation configurations defined in table 4.2.1-7.

Table 4.2.1-7: Single-band non-contiguous 4C-HSDPA (NC-4C-HSDPA) configurations

Single-band NC-4C-HSDPA Configuration	Operating Band	Number of DL carriers in one sub-block	Sub-block gap [MHz]	Number of DL carriers in the other sub-block
I-1-5-1	I	1	5	1
I-2-5-1	I	2	5	1
I-3-10-1	I	3	10	1
NOTE: Single-band NC-4C-HSDPA configuration is numbered as (X-M-Y-N), where X denotes the operating band, M denotes the number of DL carriers in one sub-block, Y denotes the sub-block gap in MHz and N denotes the number of DL carriers in the other sub-block. M and N can be switched.				

4.2.2 Spectrum emissions mask

4.2.2.1 Definition

Unwanted emissions consist of out-of-band emissions and spurious emissions (Recommendation ITU-R SM.329-12 [i.7]). Out of band emissions are emissions immediately outside the channel bandwidth resulting from the modulation process and non-linearity in the transmitter but excluding spurious emissions. The out-of-band emissions requirement for the BS transmitter is specified both in terms of Adjacent Channel Leakage power Ratio (ACLR) and Spectrum Emission Mask (SEM).

For a UTRA FDD BS additionally conforming to ETSI EN 301 908-18 [4], either the requirement of the present clause or the Operating band unwanted emissions requirement in clause 4.2.2 of ETSI EN 301 908-18 [4] can be equally applied, as listed in table 4.2.1-2.

4.2.2.2 Limit

The requirement shall be met whatever type of transmitter is considered (single-carrier or multi-carrier). In addition, for a BS operating in a non-contiguous spectrum, the requirements shall apply inside any sub-block gap. In addition, for a BS capable of multi-band operation, the requirements shall apply inside any Inter RF Bandwidth gap.

For BS capable of multi-band operation where multiple bands are mapped on separate antenna connectors, the single-band requirements shall apply, and the cumulative evaluation of the emission limit in the Inter RF Bandwidth gap is not applicable.

Emissions shall not exceed the limit specified in tables 4.2.2.2-1 to 4.2.2.2-4A for the specified BS rated output power, in the frequency range from $\Delta f = 2,5$ MHz to Δf_{\max} from the carrier frequency, where:

- Δf is the separation between the carrier frequency and the nominal -3 dB point of the measuring filter closest to the carrier frequency;
- f_{offset} is the separation between the carrier frequency and the centre of the measurement filter;
- $f_{\text{offset}_{\max}}$ is either 12,5 MHz or the offset to the UMTS TX band edge as defined in table 1-1, whichever is the greater;
- Δf_{\max} is equal to $f_{\text{offset}_{\max}}$ minus half of the bandwidth of the measuring filter.

Inside any Inter RF Bandwidth gaps with $W_{\text{gap}} < 20$ MHz for BS operating in multiple bands, emissions shall not exceed the cumulative sum of the limits specified at the BS RF Bandwidth edges on each side of the Inter RF Bandwidth gap. The limit for BS RF Bandwidth edge is specified in tables 4.2.2.2-1 to 4.2.2.2-6A, where in this case:

- Δf is equal to 2,5 MHz plus the separation between the BS RF Bandwidth edge frequency and the nominal -3 dB point of the measuring filter closest to the BS RF Bandwidth edge.
- f_{offset} is equal to 2,5 MHz plus the separation between the BS RF Bandwidth edge frequency and the centre of the measuring filter.
- $f_{\text{offset}_{\max}}$ is either 12,5 MHz or the offset to the UMTS TX band edge as defined in clause 5.2, whichever is the greater.
- Δf_{\max} is equal to $f_{\text{offset}_{\max}}$ minus half of the bandwidth of the measuring filter.

Measurement filter is defined as in Recommendation ITU-R SM.329-12 [i.7], section 4.1.

For BS capable of multi-band operation where multiple bands are mapped on the same antenna connector, the operating band unwanted emission limits apply also in a supported operating band without any carrier transmitted, in the case where there are carrier(s) transmitted in another supported operating band. In this case, no cumulative limit is applied in the Inter-band gap between a supported downlink operating band with carrier(s) transmitted and a supported downlink operating band without any carrier transmitted and:

- In case the Inter-band gap between a downlink band with carrier(s) transmitted and a downlink band without any carrier transmitted is less than 20 MHz, $f_{\text{offset}_{\text{max}}}$ shall be the offset to the frequency 10 MHz outside the outermost edges of the two downlink operating bands and the operating band unwanted emission limit of the band where there are carriers transmitted, as defined in the tables of the present clause, shall apply across both downlink bands.
- In other cases, the operating band unwanted emission limit of the band where there are carriers transmitted, as defined in the tables of the present clause for the largest frequency offset (Δf_{max}), shall apply from 10 MHz below the lowest frequency, up to 10 MHz above the highest frequency of the downlink operating band without any carrier transmitted.

Inside any sub-block gap for a BS operating in a non-contiguous spectrum, the measurement results shall not exceed the cumulative sum of the limits specified for the adjacent sub-blocks on each side of the sub-block gap. The limit for each sub-block is specified in tables 4.2.2.2-1 to 4.2.2.2-6A, where in this case:

- Δf is equal to 2,5 MHz plus the separation between the sub-block edge frequency and the nominal -3 dB point of the measuring filter closest to the sub-block edge.
- f_{offset} is equal to 2,5 MHz plus the separation between the sub-block edge frequency and the centre of the measuring filter.
- $f_{\text{offset}_{\text{max}}}$ is equal to the sub-block gap bandwidth minus half of the bandwidth of the measuring filter plus 2,5 MHz.
- Δf_{max} is equal to $f_{\text{offset}_{\text{max}}}$ minus half of the bandwidth of the measuring filter.

**Table 4.2.2.2-1: Spectrum emission mask,
 $P_{\text{rated,c}} \geq 43$ dBm for UTRA FDD bands ≤ 3 GHz**

Frequency offset of measurement filter -3 dB point, Δf	Frequency offset of measurement filter centre frequency, f_{offset}	Limit (notes 1 and 2)	Measurement bandwidth
$2,5 \text{ MHz} \leq \Delta f < 2,7 \text{ MHz}$	$2,515 \text{ MHz} \leq f_{\text{offset}} < 2,715 \text{ MHz}$	-12,5 dBm	30 kHz
$2,7 \text{ MHz} \leq \Delta f < 3,5 \text{ MHz}$	$2,715 \text{ MHz} \leq f_{\text{offset}} < 3,515 \text{ MHz}$	$-12,5 \text{ dBm} - 15 \times \left(\frac{f_{\text{offset}}}{\text{MHz}} - 2,715 \right) \text{ dB}$	30 kHz
(note 3)	$3,515 \text{ MHz} \leq f_{\text{offset}} < 4,0 \text{ MHz}$	-24,5 dBm	30 kHz
$3,5 \text{ MHz} \leq \Delta f \leq \Delta f_{\text{max}}$	$4,0 \text{ MHz} \leq f_{\text{offset}} < f_{\text{offset}_{\text{max}}}$	-11,5 dBm	1 MHz
NOTE 1: For BS supporting non-contiguous spectrum operation, the limit within sub-block gaps within any operating band is calculated as a cumulative sum of contributions from adjacent sub-blocks on each side of the sub-block gap, where the contribution from the far-end sub-block shall be scaled according to the measurement bandwidth of the near-end sub-block. Exception is $\Delta f \geq 12,5$ MHz from both adjacent sub-blocks on each side of the sub-block gap, where the limit within sub-block gaps shall be -11,5 dBm/MHz.			
NOTE 2: For BS supporting multi-band operation with Inter RF Bandwidth gap < 20 MHz, the limit within the Inter RF Bandwidth gaps is calculated as a cumulative sum of contributions from adjacent sub-blocks or BS RF Bandwidth on each side of the Inter RF Bandwidth gap, where the contribution from the far-end sub-block or BS RF Bandwidth shall be scaled according to the measurement bandwidth of the near-end sub-block or BS RF Bandwidth.			
NOTE 3: This frequency range ensures that the range of values of f_{offset} is continuous.			

**Table 4.2.2-1A: Spectrum emission mask,
 $P_{\text{rated,c}} \geq 43$ dBm for UTRA FDD bands > 3 GHz**

Frequency offset of measurement filter -3 dB point, Δf	Frequency offset of measurement filter centre frequency, f_{offset}	Limit (notes 1 and 2)	Measurement bandwidth
$2,5 \text{ MHz} \leq \Delta f < 2,7 \text{ MHz}$	$2,515 \text{ MHz} \leq f_{\text{offset}} < 2,715 \text{ MHz}$	-12,2 dBm	30 kHz
$2,7 \text{ MHz} \leq \Delta f < 3,5 \text{ MHz}$	$2,715 \text{ MHz} \leq f_{\text{offset}} < 3,515 \text{ MHz}$	$-12,2 \text{ dBm} - 15 \times \left(\frac{f_{\text{offset}}}{\text{MHz}} - 2,715 \right) \text{ dB}$	30 kHz
(note 3)	$3,515 \text{ MHz} \leq f_{\text{offset}} < 4,0 \text{ MHz}$	-24,2 dBm	30 kHz
$3,5 \text{ MHz} \leq \Delta f \leq \Delta f_{\text{max}}$	$4,0 \text{ MHz} \leq f_{\text{offset}} < f_{\text{offset}_{\text{max}}}$	-11,2 dBm	1 MHz
<p>NOTE 1: For BS supporting non-contiguous spectrum operation, the limit within sub-block gaps within any operating band is calculated as a cumulative sum of contributions from adjacent sub-blocks on each side of the sub-block gap, where the contribution from the far-end sub-block shall be scaled according to the measurement bandwidth of the near-end sub-block. Exception is $\Delta f \geq 12,5$ MHz from both adjacent sub-blocks on each side of the sub-block gap, where the limit within sub-block gaps shall be -11,2 dBm/MHz.</p> <p>NOTE 2: For BS supporting multi-band operation with Inter RF Bandwidth gap < 20 MHz, the limit with the Inter RF Bandwidth gaps is calculated as a cumulative sum of contributions from adjacent sub-blocks or BS RF Bandwidth on each side of the inter-R bandwidth gap, where the contribution from the far-end sub-block or BS RF Bandwidth shall be scaled according to the measurement bandwidth of the near-end sub-block or BS RF Bandwidth.</p> <p>NOTE 3: This frequency range ensures that the range of values of f_{offset} is continuous.</p>			

**Table 4.2.2-2: Spectrum emission mask,
 $39 \text{ dBm} \leq P_{\text{rated,c}} < 43$ dBm for UTRA FDD bands ≤ 3 GHz**

Frequency offset of measurement filter -3 dB point, Δf	Frequency offset of measurement filter centre frequency, f_{offset}	Limit (notes 1 and 2)	Measurement bandwidth
$2,5 \text{ MHz} \leq \Delta f < 2,7 \text{ MHz}$	$2,515 \text{ MHz} \leq f_{\text{offset}} < 2,715 \text{ MHz}$	-12,5 dBm	30 kHz
$2,7 \text{ MHz} \leq \Delta f < 3,5 \text{ MHz}$	$2,715 \text{ MHz} \leq f_{\text{offset}} < 3,515 \text{ MHz}$	$-12,5 \text{ dBm} - 15 \times \left(\frac{f_{\text{offset}}}{\text{MHz}} - 2,715 \right) \text{ dB}$	30 kHz
(note 3)	$3,515 \text{ MHz} \leq f_{\text{offset}} < 4,0 \text{ MHz}$	-24,5 dBm	30 kHz
$3,5 \text{ MHz} \leq \Delta f < 7,5 \text{ MHz}$	$4,0 \text{ MHz} \leq f_{\text{offset}} < 8,0 \text{ MHz}$	-11,5 dBm	1 MHz
$7,5 \text{ MHz} \leq \Delta f \leq \Delta f_{\text{max}}$	$8,0 \text{ MHz} \leq f_{\text{offset}} < f_{\text{offset}_{\text{max}}}$	$P_{\text{rated,c}} - 54,5 \text{ dB}$	1 MHz
<p>NOTE 1: For BS supporting non-contiguous spectrum operation, the limit within sub-block gaps within any operating band is calculated as a cumulative sum of contributions from adjacent sub-blocks on each side of the sub-block gap, where the contribution from the far-end sub-block shall be scaled according to the measurement bandwidth of the near-end sub-block. Exception is $\Delta f \geq 12,5$ MHz from both adjacent sub-blocks on each side of the sub-block gap, where the limit within sub-block gaps shall be $P_{\text{rated,c}} - 54,5$ dBm/MHz.</p> <p>NOTE 2: For BS supporting multi-band operation with Inter RF Bandwidth gap < 20 MHz, the limit with the Inter RF Bandwidth gaps is calculated as a cumulative sum of contributions from adjacent sub-blocks or BS RF Bandwidth on each side of the inter-R bandwidth gap, where the contribution from the far-end sub-block or BS RF Bandwidth shall be scaled according to the measurement bandwidth of the near-end sub-block or BS RF Bandwidth.</p> <p>NOTE 3: This frequency range ensures that the range of values of f_{offset} is continuous.</p>			

**Table 4.2.2-2A: Spectrum emission mask,
39 dBm ≤ P_{rated,c} < 43 dBm for UTRA FDD bands > 3 GHz**

Frequency offset of measurement filter -3 dB point, Δf	Frequency offset of measurement filter centre frequency, f _{offset}	Limit (notes 1 and 2)	Measurement bandwidth
2,5 MHz ≤ Δf < 2,7 MHz	2,515 MHz ≤ f _{offset} < 2,715 MHz	-12,2 dBm	30 kHz
2,7 MHz ≤ Δf < 3,5 MHz	2,715 MHz ≤ f _{offset} < 3,515 MHz	-12,2 dBm - 15 × ($\frac{f_{\text{offset}}}{\text{MHz}} - 2,715$) dB	30 kHz
(note 3)	3,515 MHz ≤ f _{offset} < 4,0 MHz	-24,2 dBm	30 kHz
3,5 MHz ≤ Δf < 7,5 MHz	4,0 MHz ≤ f _{offset} < 8,0 MHz	-11,2 dBm	1 MHz
7,5 MHz ≤ Δf ≤ Δf _{max}	8,0 MHz ≤ f _{offset} < f _{offset,max}	P _{rated,c} - 54,2 dB	1 MHz
<p>NOTE 1: For BS supporting non-contiguous spectrum operation, the limit within sub-block gaps within any operating band is calculated as a cumulative sum of contributions from adjacent sub-blocks on each side of the sub-block gap, where the contribution from the far-end sub-block shall be scaled according to the measurement bandwidth of the near-end sub-block. Exception is Δf ≥ 12,5 MHz from both adjacent sub-blocks on each side of the sub-block gap, where the limit within sub-block gaps shall be P_{rated,c} - 54,2 dB/MHz.</p> <p>NOTE 2: For BS supporting multi-band operation with Inter RF Bandwidth gap < 20 MHz, the limit with the Inter RF Bandwidth gaps is calculated as a cumulative sum of contributions from adjacent sub-blocks or BS RF Bandwidth on each side of the inter-R bandwidth gap, where the contribution from the far-end sub-block or BS RF Bandwidth shall be scaled according to the measurement bandwidth of the near-end sub-block or BS RF Bandwidth.</p> <p>NOTE 3: This frequency range ensures that the range of values of f_{offset} is continuous.</p>			

**Table 4.2.2-2B: Spectrum emission mask,
31 dBm ≤ P_{rated,c} < 39 dBm for UTRA FDD bands ≤ 3 GHz**

Frequency offset of measurement filter -3 dB point, Δf	Frequency offset of measurement filter centre frequency, f _{offset}	Limit (notes 1 and 2)	Measurement bandwidth
2,5 MHz ≤ Δf < 2,7 MHz	2,515 MHz ≤ f _{offset} < 2,715 MHz	P - 51,5 dB	30 kHz
2,7 MHz ≤ Δf < 3,5 MHz	2,715 MHz ≤ f _{offset} < 3,515 MHz	P - 51,5 dB - 15 × ($\frac{f_{\text{offset}}}{\text{MHz}} - 2,715$) dB	30 kHz
(note 3)	3,515 MHz ≤ f _{offset} < 4,0 MHz	P _{rated,c} - 63,5 dB	30 kHz
3,5 MHz ≤ Δf < 7,5 MHz	4,0 MHz ≤ f _{offset} < 8,0 MHz	P _{rated,c} - 50,5 dB	1 MHz
7,5 MHz ≤ Δf ≤ Δf _{max}	8,0 MHz ≤ f _{offset} < f _{offset,max}	P _{rated,c} - 54,5 dB	1 MHz
<p>NOTE 1: For BS supporting non-contiguous spectrum operation, the limit within sub-block gaps within any operating band is calculated as a cumulative sum of contributions from adjacent sub-blocks on each side of the sub-block gap, where the contribution from the far-end sub-block shall be scaled according to the measurement bandwidth of the near-end sub-block. Exception is Δf ≥ 12,5 MHz from both adjacent sub-blocks on each side of the sub-block gap, where the limit within sub-block gaps shall be P_{rated,c} - 54,5 dB/MHz.</p> <p>NOTE 2: For BS supporting multi-band operation with Inter RF Bandwidth gap < 20 MHz, the limit with the Inter RF Bandwidth gaps is calculated as a cumulative sum of contributions from adjacent sub-blocks or BS RF Bandwidth on each side of the inter-R bandwidth gap, where the contribution from the far-end sub-block or BS RF Bandwidth shall be scaled according to the measurement bandwidth of the near-end sub block or BS RF Bandwidth.</p> <p>NOTE 3: This frequency range ensures that the range of values of f_{offset} is continuous.</p>			

**Table 4.2.2-3A: Spectrum emission mask,
31 dBm ≤ P_{rated,c} < 39 dBm for UTRA FDD bands > 3 GHz**

Frequency offset of measurement filter -3 dB point, Δf	Frequency offset of measurement filter centre frequency, f _{offset}	Limit (notes 1 and 2)	Measurement bandwidth
2,5 MHz ≤ Δf < 2,7 MHz	2,515 MHz ≤ f _{offset} < 2,715 MHz	P _{rated,c} - 51,2 dB	30 kHz
2,7 MHz ≤ Δf < 3,5 MHz	2,715 MHz ≤ f _{offset} < 3,515 MHz	P - 51,5 dB - 15 × ($\frac{f_{\text{offset}}}{\text{MHz}} - 2,715$) dB	30 kHz
(note 3)	3,515 MHz ≤ f _{offset} < 4,0 MHz	P _{rated,c} - 63,2 dB	30 kHz
3,5 MHz ≤ Δf < 7,5 MHz	4,0 MHz ≤ f _{offset} < 8,0 MHz	P _{rated,c} - 50,2 dB	1 MHz
7,5 MHz ≤ Δf ≤ Δf _{max}	8,0 MHz ≤ f _{offset} < f _{offset,max}	P _{rated,c} - 54,2 dB	1 MHz
<p>NOTE 1: For BS supporting non-contiguous spectrum operation, the limit within sub-block gaps within any operating band is calculated as a cumulative sum of contributions from adjacent sub-blocks on each side of the sub-block gap, where the contribution from the far-end sub-block shall be scaled according to the measurement bandwidth of the near-end sub-block. Exception is Δf ≥ 12,5 MHz from both adjacent sub-blocks on each side of the sub-block gap, where the limit within sub-block gaps shall be P_{rated,c} - 54,2 dB/MHz.</p> <p>NOTE 2: For BS supporting multi-band operation with Inter RF Bandwidth gap < 20 MHz, the limit with the Inter RF Bandwidth gaps is calculated as a cumulative sum of contributions from adjacent sub-blocks or BS RF Bandwidth on each side of the inter-R bandwidth gap, where the contribution from the far-end sub-block or BS RF Bandwidth shall be scaled according to the measurement bandwidth of the near-end sub-block or BS RF Bandwidth.</p> <p>NOTE 3: This frequency range ensures that the range of values of f_{offset} is continuous.</p>			

**Table 4.2.2-4: Spectrum emission mask,
P_{rated,c} < 31 dBm for UTRA FDD bands ≤ 3 GHz**

Frequency offset of measurement filter -3 dB point, Δf	Frequency offset of measurement filter centre frequency, f _{offset}	Limit (notes 1 and 2)	Measurement bandwidth
2,5 MHz ≤ Δf < 2,7 MHz	2,515 MHz ≤ f _{offset} < 2,715 MHz	-20,5 dBm	30 kHz
2,7 MHz ≤ Δf < 3,5 MHz	2,715 MHz ≤ f _{offset} < 3,515 MHz	-20,5 dBm - 15 × ($\frac{f_{\text{offset}}}{\text{MHz}} - 2,715$) dB	30 kHz
(note 3)	3,515 MHz ≤ f _{offset} < 4,0 MHz	-32,5 dBm	30 kHz
3,5 MHz ≤ Δf < 7,5 MHz	4,0 MHz ≤ f _{offset} < 8,0 MHz	-19,5 dBm	1 MHz
7,5 MHz ≤ Δf ≤ Δf _{max}	8,0 MHz ≤ f _{offset} < f _{offset,max}	-23,5 dBm	1 MHz
<p>NOTE 1: For BS supporting non-contiguous spectrum operation, the limit within sub-block gaps within any operating band is calculated as a cumulative sum of contributions from adjacent sub-blocks on each side of the sub-block gap, where the contribution from the far-end sub-block shall be scaled according to the measurement bandwidth of the near-end sub-block. Exception is Δf ≥ 12,5 MHz from both adjacent sub-blocks on each side of the sub-block gap, where the limit within sub-block gaps shall be -23,5 dBm/MHz.</p> <p>NOTE 2: For BS supporting multi-band operation with Inter RF Bandwidth gap < 20 MHz, the limit with the Inter RF Bandwidth gaps is calculated as a cumulative sum of contributions from adjacent sub-blocks or BS RF Bandwidth on each side of the inter-R bandwidth gap, where the contribution from the far-end sub-block or BS RF Bandwidth shall be scaled according to the measurement bandwidth of the near-end sub-block or BS RF Bandwidth.</p> <p>NOTE 3: This frequency range ensures that the range of values of f_{offset} is continuous.</p>			

**Table 4.2.2.2-4A: Spectrum emission mask,
P_{rated,c} < 31 dBm for UTRA FDD bands > 3 GHz**

Frequency offset of measurement filter - 3 dB point, Δf	Frequency offset of measurement filter centre frequency, f_{offset}	Limit (notes 1 and 2)	Measurement bandwidth
$2,5 \text{ MHz} \leq \Delta f < 2,7 \text{ MHz}$	$2,515 \text{ MHz} \leq f_{\text{offset}} < 2,715 \text{ MHz}$	-20,2 dBm	30 kHz
$2,7 \text{ MHz} \leq \Delta f < 3,5 \text{ MHz}$	$2,715 \text{ MHz} \leq f_{\text{offset}} < 3,515 \text{ MHz}$	$-20,2 \text{ dBm} - 15 \times \left(\frac{f_{\text{offset}}}{\text{MHz}} - 2,715 \right) \text{ dB}$	30 kHz
(note 3)	$3,515 \text{ MHz} \leq f_{\text{offset}} < 4,0 \text{ MHz}$	-32,2 dBm	30 kHz
$3,5 \text{ MHz} \leq \Delta f < 7,5 \text{ MHz}$	$4,0 \text{ MHz} \leq f_{\text{offset}} < 8,0 \text{ MHz}$	-19,2 dBm	1 MHz
$7,5 \text{ MHz} \leq \Delta f \leq \Delta f_{\text{max}}$	$8,0 \text{ MHz} \leq f_{\text{offset}} < f_{\text{offset,max}}$	-23,2 dBm	1 MHz
NOTE 1: For BS supporting non-contiguous spectrum operation, the limit within sub-block gaps within any operating band is calculated as a cumulative sum of contributions from adjacent sub-blocks on each side of the sub-block gap, where the contribution from the far-end sub-block shall be scaled according to the measurement bandwidth of the near-end sub-block. Exception is $\Delta f \geq 12,5 \text{ MHz}$ from both adjacent sub-blocks on each side of the sub-block gap, where the limit within sub-block gaps shall be -23,2 dBm/MHz.			
NOTE 2: For BS supporting multi-band operation with Inter RF Bandwidth gap < 20 MHz, the limit with the Inter RF Bandwidth gaps is calculated as a cumulative sum of contributions from adjacent sub-blocks or BS RF Bandwidth on each side of the inter-R bandwidth gap, where the contribution from the far-end sub-block or BS RF Bandwidth shall be scaled according to the measurement bandwidth of the near-end sub-block or BS RF Bandwidth.			
NOTE 3: This frequency range ensures that the range of values of f_{offset} is continuous.			

For Home BS, the requirements in tables 4.2.2.2-5 or 4.2.2.2-6 shall apply in addition to the requirements in tables 4.2.2.2-1 to 4.2.2.2-4.

**Table 4.2.2.2-5: Additional spectrum emission mask for Home BS,
6 ≤ P ≤ 20 dBm for UTRA FDD bands ≤ 3 GHz**

Frequency offset of measurement filter - 3 dB point, Δf	Frequency offset of measurement filter centre frequency, f_{offset}	Limit (additional)	Measurement bandwidth
$12,5 \text{ MHz} \leq \Delta f \leq \Delta f_{\text{max}}$	$13 \text{ MHz} \leq f_{\text{offset}} < f_{\text{offset,max}}$	P - 54,5 dB	1 MHz
NOTE: For Home BS, the parameter P is defined as the aggregated maximum power of all transmit antenna connectors of Home BS.			

**Table 4.2.2.2-5A: Additional spectrum emission mask for Home BS,
6 ≤ P ≤ 20 dBm for UTRA FDD bands > 3 GHz**

Frequency offset of measurement filter - 3 dB point, Δf	Frequency offset of measurement filter centre frequency, f_{offset}	Limit (additional)	Measurement bandwidth
$12,5 \text{ MHz} \leq \Delta f \leq \Delta f_{\text{max}}$	$13 \text{ MHz} \leq f_{\text{offset}} < f_{\text{offset,max}}$	P - 54,2 dB	1 MHz
NOTE: For Home BS, the parameter P is defined as the aggregated maximum power of all transmit antenna connectors of Home BS.			

**Table 4.2.2.2-6: Additional spectrum emission mask for Home BS,
P < 6 dBm for UTRA FDD bands ≤ 3 GHz**

Frequency offset of measurement filter - 3 dB point, Δf	Frequency offset of measurement filter centre frequency, f_{offset}	Limit (additional)	Measurement bandwidth
$12,5 \text{ MHz} \leq \Delta f \leq \Delta f_{\text{max}}$	$13 \text{ MHz} \leq f_{\text{offset}} < f_{\text{offset,max}}$	-48,5 dBm	1 MHz
NOTE: For Home BS, the parameter P is defined as the aggregated maximum power of all transmit antenna connectors of Home BS.			

**Table 4.2.2-6A: Additional spectrum emission mask for Home BS,
P < 6 dBm for UTRA FDD bands > 3 GHz**

Frequency offset of measurement filter - 3 dB point, Δf	Frequency offset of measurement filter centre frequency, f_{offset}	Limit (additional)	Measurement bandwidth
$12,5 \text{ MHz} \leq \Delta f \leq \Delta f_{\text{max}}$	$13 \text{ MHz} \leq f_{\text{offset}} < f_{\text{offset}_{\text{max}}}$	-48,2 dBm	1 MHz
NOTE: For Home BS, the parameter P is defined as the aggregated maximum power of all transmit antenna connectors of Home BS.			

NOTE: For a BS operating in band XX or XXXII, additional limits for the protection of DTT are described in clause 6.5.2.1.1 of ETSI TS 125 141 [1]. This statement is provided for information and does not have any impact on the conformance requirements or essential radio test suites in the present document.

4.2.2.3 Conformance

The conformance tests for this requirement shall be as defined in clause 5.3.1 of the present document.

4.2.3 Adjacent Channel Leakage power Ratio (ACLR)

4.2.3.1 Definition

Adjacent Channel Leakage power Ratio (ACLR) is the ratio of the RRC filtered mean power centred on the assigned channel frequency to the RRC filtered mean power centred on an adjacent channel frequency.

The Cumulative Adjacent Channel Leakage power Ratio (CACLR) in a sub-block gap or Inter RF Bandwidth gap is the ratio of:

- the sum of the filtered mean power centred on the assigned channel frequencies for the two carriers adjacent to each side of the sub-block gap or Inter RF Bandwidth gap; and
- the filtered mean power centred on a frequency channel adjacent to one of the respective sub-block edges or BS RF Bandwidth edges.

Table 4.2.3.1-1: Filter parameters for the assigned channel

RAT of the carrier adjacent to the sub-block or Inter RF Bandwidth gap	Filter on the assigned channel frequency and filter bandwidth
UTRA FDD	RRC (3,84 Mcps)
NOTE: The RRC filter shall be equivalent to the transmit pulse shape filter defined in clause 6.8.1 in ETSI TS 125 104 [3], with a chip rate as defined in this table.	

The requirements shall apply outside the BS RF Bandwidth edges or Maximum Radio Bandwidth edges, whatever the type of transmitter considered (single carrier or multi-carrier) and for all transmission modes foreseen by the manufacturer's specification.

4.2.3.2 Limits

4.2.3.2.1 General

The ACLR/CACLR absolute limits in clause 4.2.3.2.2 or the ACLR/CACLR relative limits in clause 4.2.3.2.3, whichever is less stringent, shall apply.

4.2.3.2.2 Absolute limits

The RRC filtered mean power centred on an adjacent channel frequency shall not exceed the limit in table 4.2.3.2.2-1.

Table 4.2.3.2.2-1: ACLR/CACLR absolute limit

BS class	ACLR/CACLR absolute limit
Wide Area BS	-15 dBm/MHz
Medium Range BS	-25 dBm/MHz
Local Area BS	-32 dBm/MHz

4.2.3.2.3 Relative limits

ACLR shall not be less than the limit specified in table 4.2.3.2.3-1.

Table 4.2.3.2.3-1: BS ACLR limits

BS channel offset below the first or above the last carrier frequency transmitted	ACLR limit
5 MHz	44,2 dB
10 MHz	49,2 dB
NOTE: For Home BS, the adjacent channel power (the RRC filtered mean power centred on an adjacent channel frequency) shall not exceed -42,7 dBm/3,84 MHz for $f \leq 3,0$ GHz and -42,4 dBm/3,84 MHz for $3,0 \text{ GHz} < f \leq 4,2 \text{ GHz}$ or as specified by the ACLR limit, whichever is the higher.	

For a BS operating in non-contiguous spectrum, ACLR requirement also shall apply for the first adjacent channel, inside any sub-block gap with a gap size $W_{\text{gap}} \geq 15$ MHz. The ACLR requirement for the second adjacent channel shall apply inside any sub-block gap with a gap size $W_{\text{gap}} \geq 20$ MHz.

For a BS operating in multiple bands, where multiple bands are mapped onto the same antenna connector, ACLR requirement also shall apply for the first adjacent channel, inside any Inter RF Bandwidth gap with a gap size $W_{\text{gap}} \geq 15$ MHz. The ACLR requirement for the second adjacent channel shall apply inside any Inter RF Bandwidth gap with a gap size $W_{\text{gap}} \geq 20$ MHz.

Table 4.2.3.2.3-2: BS ACLR in non-contiguous spectrum or multiple bands

Sub-block or Inter RF Bandwidth gap size (W_{gap}) where the limit applies	BS adjacent channel centre frequency offset below or above the sub-block edge or the BS RF Bandwidth edge (inside the gap)	Assumed adjacent channel carrier (informative)	Filter on the adjacent channel frequency and filter bandwidth	ACLR limit
$W_{\text{gap}} \geq 15$ MHz	2,5 MHz	3,84 Mcps UTRA	RRC (3,84 Mcps)	44,2 dB
$W_{\text{gap}} \geq 20$ MHz	7,5 MHz	3,84 Mcps UTRA	RRC (3,84 Mcps)	44,2 dB
NOTE: The RRC filter shall be equivalent to the transmit pulse shape filter defined in clause 6.8.1 in ETSI TS 125 104 [3], with a chip rate as defined in this table.				

For a BS operating in non-contiguous spectrum, the CACLR requirement shall apply in sub-block gaps for the frequency ranges defined in table 4.2.3.2.3-3.

For a BS operating capable of multi-band operation, where multiple bands are mapped onto the same antenna connector, the CACLR requirement shall apply inside Inter RF Bandwidth gaps for the frequency ranges defined in table 4.2.3.2.3-3.

For BS operating in non-contiguous spectrum or multiple bands, the CACLR for carriers located on either side of the sub-block gap or Inter RF Bandwidth gap shall not be less than the limit specified in table 4.2.3.2.3-3.

Table 4.2.3.2.3-3: Base Station CACLR in non-contiguous spectrum or multiple bands

Sub-block or Inter RF Bandwidth gap size (W_{gap}) where the limit applies	BS adjacent channel centre frequency offset below or above the sub-block edge or the BS RF Bandwidth edge (inside the gap)	Assumed adjacent channel carrier (informative)	Filter on the adjacent channel frequency and filter bandwidth	CACLR limit
$5 \text{ MHz} \leq W_{\text{gap}} < 15 \text{ MHz}$	2,5 MHz	3,84 Mcps UTRA	RRC (3,84 Mcps)	44,2 dB
$10 \text{ MHz} < W_{\text{gap}} < 20 \text{ MHz}$	7,5 MHz	3,84 Mcps UTRA	RRC (3,84 Mcps)	44,2 dB
NOTE: The RRC filter shall be equivalent to the transmit pulse shape filter defined in clause 6.8.1 in ETSI TS 125 104 [3], with a chip rate as defined in this table.				

4.2.3.3 Conformance

The conformance tests for this requirement shall be as defined in clause 5.3.2 of the present document.

4.2.4 Transmitter spurious emissions

4.2.4.1 Definition

Spurious emissions are emissions which are caused by unwanted transmitter effects such as harmonics emission, parasitic emission, intermodulation products and frequency conversion products, but exclude out-of-band emissions. These emissions are measured at the BS antenna connector.

For a UTRA FDD BS additionally conforming to ETSI EN 301 908-18 [4], either the requirement of the present clause or the Transmitter spurious emissions requirement in clause 4.2.4 of ETSI EN 301 908-18 [4] can be equally applied, as listed in table 4.2.1-2.

Transmitter spurious emission limits shall apply from 9 kHz to 12,75 GHz, or 5th harmonic limit of the downlink operating band, excluding the frequency ranges from 12,5 MHz below the lowest carrier frequency used up to 12,5 MHz above the highest carrier frequency used.

NOTE: For bands VII and XXII, the upper limit is more than 12,75 GHz in order to comply with the 5th harmonic limit of the downlink *operating band*, as specified in Recommendation ITU-R SM.329-12 [i.7].

For BS capable of multi-band operation where multiple bands are mapped on the same antenna connector, the requirements (except exceptions in table 4.2.4.2.2-1) shall apply at frequencies within the specified frequency ranges, excluding the frequency ranges which are less than or equal to 12,5 MHz below the first carrier frequency used and less than or equal to 12,5 MHz above the last carrier frequency used for each supported operating band. For BS capable of multi-band operation where multiple bands are mapped on separate antenna connectors, the single-band requirements shall apply, and the multi-band exclusions and provisions are not applicable.

Requirements of clause 4.2.4.2 shall apply whatever the type of transmitter considered (single carrier or multi-carrier) and for all transmission modes foreseen by the manufacturer's specification.

All limits are expressed as mean power (RMS).

4.2.4.2 Limits

4.2.4.2.1 General spurious emissions limits

The power of any spurious emission shall not exceed the limit specified in tables 4.2.4.2.1-1 or 4.2.4.2.1-2.

Table 4.2.4.2.1-1: BS spurious emissions limits for operating band I, III, VII, and XXXII

Frequency range	Limit	Measurement bandwidth	Note
9 kHz to 150 kHz	-36 dBm	1 kHz	note 1
150 kHz to 30 MHz	-36 dBm	10 kHz	note 1
30 MHz to 1 GHz	-36 dBm	100 kHz	note 1
1 GHz to $F_{low} - 10$ MHz	-30 dBm	1 MHz	note 1
$F_{low} - 10$ MHz to $F_{high} + 10$ MHz	-15 dBm	1 MHz	note 2
$F_{high} + 10$ MHz to 12,75 GHz	-30 dBm	1 MHz	note 3
12,75 GHz to 5 th harmonic of the upper frequency edge of the DL operating band	-30 dBm	1 MHz	note 3, note 4

NOTE 1: Bandwidth as in Recommendation ITU-R SM.329-12 [i.7], section 4.1.
 NOTE 2: Limit based on Recommendation ITU-R SM.329-12 [i.7], section 4.3 and annex 7.
 NOTE 3: Bandwidth as in Recommendation ITU-R SM.329-12 [i.7], section 4.1. Upper frequency as in Recommendation ITU-R SM.329-12 [i.7], section 2.5, table 1.
 NOTE 4: Applies only for Bands VII and XXII.

Table 4.2.4.2.1-2: BS spurious emissions limits for operating band VIII and XX

Frequency range	Limit	Measurement bandwidth	Note
9 kHz to 150 kHz	-36 dBm	1 kHz	note 1
150 kHz to 30 MHz	-36 dBm	10 kHz	note 1
30 MHz to $F_{low} - 10$ MHz	-36 dBm	100 kHz	note 1
$F_{low} - 10$ MHz to $F_{high} + 10$ MHz	-16 dBm	100 kHz	note 2
$F_{high} + 10$ MHz to 1 GHz	-36 dBm	100 kHz	note 1
1 GHz to 12,75 GHz	-30 dBm	1 MHz	note 3

NOTE 1: Bandwidth as in Recommendation ITU-R SM.329-12 [i.7], section 4.1.
 NOTE 2: Limit based on Recommendation ITU-R SM.329-12 [i.7], section 4.3 and annex 7.
 NOTE 3: Bandwidth as in Recommendation ITU-R SM.329-12 [i.7], section 4.1. Upper frequency as in Recommendation ITU-R SM.329-12 [i.7], section 2.5, table 1.

4.2.4.2.2 Co-existence with other systems

This requirement shall be applied for the protection of UE/MS and BS/BTS receivers of other systems.

The power of any spurious emission shall not exceed the limit specified in table 4.2.4.2.2-1.

Table 4.2.4.2.2-1: Spurious emissions limits for protection of other systems

Protected system	Frequency range for co-existence requirement	Limit	Measurement Bandwidth	Exclusions and conditions
GSM900	921 MHz to 960 MHz	-57 dBm	100 kHz	This requirement shall not apply to UTRA FDD BS operating in band VIII.
	876 MHz to 915 MHz	-61 dBm	100 kHz	For the frequency range 880 MHz to 915 MHz, this requirement shall not apply to UTRA FDD BS operating in band VIII since it is already covered by the requirement in clause 4.2.4.2.4.
DCS1800	1 805 MHz to 1 880 MHz	-47 dBm	100 kHz	This requirement shall not apply to UTRA FDD BS operating in band III.
	1 710 MHz to 1 785 MHz	-61 dBm	100 kHz	This requirement shall not apply to UTRA FDD BS operating in band III since it is already covered by the requirement in clause 4.2.4.2.4.
UTRA FDD Band I,	2 110 MHz to 2 170 MHz	-52 dBm	1 MHz	This requirement shall not apply to UTRA FDD BS operating in band I.

Protected system	Frequency range for co-existence requirement	Limit	Measurement Bandwidth	Exclusions and conditions
E-UTRA Band 1 or NR band n1	1 920 MHz to 1 980 MHz	-49 dBm	1 MHz	This requirement shall not apply to UTRA FDD BS operating in band I since it is already covered by the requirement in clause 4.2.4.2.4.
UTRA FDD Band III, E-UTRA Band 3 or NR band n3	1 805 MHz to 1 880 MHz	-52 dBm	1 MHz	This requirement shall not apply to UTRA FDD BS operating in band III.
	1 710 MHz to 1 785 MHz	-49 dBm	1 MHz	This requirement shall not apply to UTRA FDD BS operating in band III, since it is already covered by the requirement in clause 4.2.4.2.4.
UTRA FDD Band VII, E-UTRA Band 7 or NR band n7	2 620 MHz to 2 690 MHz	-52 dBm	1 MHz	This requirement shall not apply to UTRA FDD BS operating in band VII.
	2 500 MHz to 2 570 MHz	-49 dBm	1 MHz	This requirement shall not apply to UTRA FDD BS operating in band VII, since it is already covered by the requirement in clause 4.2.4.2.4.
UTRA FDD Band VIII, E-UTRA Band 8 or NR band n8	925 MHz to 960 MHz	-52 dBm	1 MHz	This requirement shall not apply to UTRA FDD BS operating in band VIII.
	880 MHz to 915 MHz	-49 dBm	1 MHz	This requirement shall not apply to UTRA FDD BS operating in band VIII since it is already covered by the requirement in clause 4.2.4.2.4.
UTRA FDD Band XX, E-UTRA Band 20 or NR band n20	791 MHz to 821 MHz	-52 dBm	1 MHz	This requirement shall not apply to UTRA FDD BS operating in band XX.
	832 MHz to 862 MHz	-49 dBm	1 MHz	This requirement shall not apply to UTRA FDD BS operating in band XX since it is already covered by the requirement in clause 4.2.4.2.4.
UTRA FDD Band XXII, E-UTRA Band 22	3 510 MHz to 3 590 MHz	-52 dBm	1 MHz	This requirement shall not apply to UTRA FDD BS operating in band XXII.
	3 410 MHz to 3 490 MHz	-49 dBm	1 MHz	This requirement shall not apply to UTRA FDD BS operating in band XXII since it is already covered by the requirement in clause 4.2.4.2.4.
E-UTRA Band 28 or NR band n28	758 MHz to 803 MHz	-52 dBm	1 MHz	
	703 MHz to 748 MHz	-49 dBm	1 MHz	
E-UTRA Band 31	462,5 MHz to 467,5 MHz	-52 dBm	1 MHz	
	452,5 MHz to 457,5 MHz	-49 dBm	1 MHz	
UTRA FDD Band XXXII or E-UTRA Band 32	1 452 MHz to 1 496 MHz	-52 dBm	1 MHz	This requirement shall not apply to UTRA FDD BS operating in Band XXXII.
UTRA TDD in Band a), E-UTRA Band 33	1 900 MHz to 1 920 MHz	-52 dBm	1 MHz	
UTRA TDD in Band a), E-UTRA Band 34 or NR band n34	2 010 MHz to 2 025 MHz	-52 dBm	1 MHz	
UTRA TDD in Band d), E-UTRA Band 38 or NR band n38	2 570 MHz to 2 610 MHz	-52 dBm	1 MHz	
E-UTRA Band 40 or NR band n40	2 300 MHz to 2 400 MHz	-52 dBm	1 MHz	
E-UTRA Band 41 or NR band n41	2 500 MHz to 2 690 MHz	-52 dBm	1 MHz	
E-UTRA Band 42	3 400 MHz to 3 600 MHz	-52 dBm	1 MHz	
E-UTRA Band 43	3 600 MHz to 3 800 MHz	-52 dBm	1 MHz	
E-UTRA Band 46	5 150 MHz to 5 925 MHz	-52 dBm	1 MHz	
E-UTRA Band 47	5 855 MHz to 5 925 MHz	-52 dBm	1 MHz	
E-UTRA Band 50 or NR band n50	1 432 MHz to 1 517 MHz	-52 dBm	1 MHz	This requirement shall not apply to UTRA BS operating in band XXXII.
E-UTRA Band 51 or NR band n51	1 427 MHz to 1 432 MHz	-52 dBm	1 MHz	

Protected system	Frequency range for co-existence requirement	Limit	Measurement Bandwidth	Exclusions and conditions
E-UTRA Band 65	2 110 MHz to 2 200 MHz	-52 dBm	1 MHz	This requirement shall not apply to UTRA BS operating in band I.
	1 920 MHz to 2 010 MHz	-49 dBm	1 MHz	For UTRA BS operating in Band I, it applies for 1 980 MHz to 2 010 MHz, while the rest is covered in clause 4.2.4.2.4.
E-UTRA Band 67 or NR band n67	738 MHz to 758 MHz	-52 dBm	1 MHz	
E-UTRA Band 68	753 MHz to 783 MHz	-52 dBm	1 MHz	
	698 MHz to 728 MHz	-49 dBm	1 MHz	
E-UTRA Band 69	2 570 MHz to 2 620 MHz	-52 dBm	1 MHz	
E-UTRA Band 72	461 MHz to 466 MHz	-52 dBm	1 MHz	
	451 MHz to 456 MHz	-49 dBm	1 MHz	
E-UTRA Band 75 or NR band n75	1 432 MHz to 1 517 MHz	-52 dBm	1 MHz	This requirement shall not apply to UTRA BS operating in Band XXXII.
E-UTRA Band 76 or NR band n76	1 427 MHz to 1 432 MHz	-52 dBm	1 MHz	
NR band n77	3 300 MHz to 4 200 MHz	-52 dBm	1 MHz	
NR band n78	3 300 MHz to 3 800 MHz	-52 dBm	1 MHz	
E-UTRA Band 87	420 MHz to 425 MHz	-52 dBm	1 MHz	
	410 MHz to 415 MHz	-49 dBm	1 MHz	
E-UTRA Band 88	422 MHz to 427 MHz	-52 dBm	1 MHz	
	412 MHz to 417 MHz	-49 dBm	1 MHz	
NR band n91	1 427 to 1 432 MHz	-52 dBm	1 MHz	
	832 to 862 MHz	-49 dBm	1 MHz	This requirement shall not apply to UTRA FDD BS operating in band XX since it is already covered by the requirement in clause 4.2.4.2.4.
NR band n92	1 432 to 1 517 MHz	-52 dBm	1 MHz	This requirement shall not apply to UTRA FDD BS operating in Band XXXII.
	832 to 862 MHz	-49 dBm	1 MHz	This requirement shall not apply to UTRA FDD BS operating in band XX since it is already covered by the requirement in clause 4.2.4.2.4.
NR band n93	1 427 to 1 432 MHz	-52 dBm	1 MHz	
	880 to 915 MHz	-49 dBm	1 MHz	This requirement shall not apply to UTRA FDD BS operating in band VIII since it is already covered by the requirement in clause 4.2.4.2.4.
NR band n94	1 432 to 1 517 MHz	-52 dBm	1 MHz	This requirement shall not apply to UTRA FDD BS operating in Band XXXII.
	880 to 915 MHz	-49 dBm	1 MHz	This requirement shall not apply to UTRA FDD BS operating in band VIII since it is already covered by the requirement in clause 4.2.4.2.4.

NOTE 1: Where the table has two entries for the same or overlapping frequency ranges, both limits shall be applied.
NOTE 2: The co-location requirements shall not apply for the 10 MHz frequency range immediately outside the BS transmit frequency range of a downlink operating band (see table 1-1).

4.2.4.2.3 Void.

4.2.4.2.4 Protection of the BS receiver of own or different BS

This requirement shall be applied in order to prevent the receivers of the own BS or other BSs from being desensitized by emissions from a BS transmitter.

The power of any spurious emission shall not exceed the limit specified in tables 4.2.4.2.4-1 to 4.2.4.2.4-3.

Table 4.2.4.2.4-1: Spurious emissions limits for protection of a Wide Area BS receiver

Operating band	Frequency range	Limit	Measurement bandwidth
I	1 920 MHz to 1 980 MHz	-96 dBm	100 kHz
III	1 710 MHz to 1 785 MHz	-96 dBm	100 kHz
VII	2 500 MHz to 2 570 MHz	-96 dBm	100 kHz
VIII	880 MHz to 915 MHz	-96 dBm	100 kHz
XX	832 MHz to 862 MHz	-96 dBm	100 kHz
XXII	3 410 MHz to 3 490 MHz	-96 dBm	100 kHz

Table 4.2.4.2.4-2: Spurious emissions limits for protection of a Medium Range BS receiver

Operating band	Frequency range	Limit	Measurement bandwidth
I	1 920 MHz to 1 980 MHz	-86 dBm	100 kHz
III	1 710 MHz to 1 785 MHz	-86 dBm	100 kHz
VII	2 500 MHz to 2 570 MHz	-86 dBm	100 kHz
VIII	880 MHz to 915 MHz	-86 dBm	100 kHz
XX	832 MHz to 862 MHz	-86 dBm	100 kHz
XXII	3 410 MHz to 3 490 MHz	-86 dBm	100 kHz

Table 4.2.4.2.4-3: Spurious emissions limits for protection of a Local Area BS and Home BS receiver

Operating band	Frequency range	Limit	Measurement bandwidth
I	1 920 MHz to 1 980 MHz	-82 dBm	100 kHz
III	1 710 MHz to 1 785 MHz	-82 dBm	100 kHz
VII	2 500 MHz to 2 570 MHz	-82 dBm	100 kHz
VIII	880 MHz to 915 MHz	-82 dBm	100 kHz
XX	832 MHz to 862 MHz	-82 dBm	100 kHz
XXII	3 410 MHz to 3 490 MHz	-82 dBm	100 kHz

4.2.4.2.5 Co-existence with Home BS operating in other bands

These requirements shall be applied for the protection of Home BS receivers operating in other bands. These requirements are only applicable to Home BS.

The power of any spurious emission shall not exceed the limits of table 4.2.4.2.5-1 for a Home BS.

Table 4.2.4.2.5-1: Spurious emissions limits for protection of a Home BS receiver

Protected band	Frequency range	Limit	Measurement bandwidth
I	1 920 MHz to 1 980 MHz	-71 dBm	100 kHz
III	1 710 MHz to 1 785 MHz	-71 dBm	100 kHz
VII	2 500 MHz to 2 570 MHz	-71 dBm	100 kHz
VIII	880 MHz to 915 MHz	-71 dBm	100 kHz
XX	832 MHz to 862 MHz	-71 dBm	100 kHz
XXII	3 410 MHz to 3 490 MHz	-71 dBm	100 kHz
UTRA TDD in Band a), E-UTRA Band 33	1 900 MHz to 1 920 MHz	-71 dBm	100 kHz
UTRA TDD in Band a), E-UTRA Band 34	2 010 MHz to 2 025 MHz	-71 dBm	100 kHz
UTRA TDD in Band d), E-UTRA Band 38	2 570 MHz to 2 610 MHz	-71 dBm	100 kHz
E-UTRA Band 40	2 300 MHz to 2 400 MHz	-71 dBm	100 kHz
E-UTRA Band 42	3 400 MHz to 3 600 MHz	-71 dBm	100 kHz
E-UTRA Band 43	3 600 MHz to 3 800 MHz	-71 dBm	100 kHz
E-UTRA Band 65	1 920 MHz to 2 110 MHz	-71 dBm	100 kHz

4.2.4.3 Conformance

Conformance tests described in clause 5.3.3 shall be carried out.

4.2.5 Base Station maximum output power

4.2.5.1 Definition

This is an output power accuracy requirement defined at the antenna connector.

NOTE: The BS class specific *rated carrier output power* limits are described in ETSI TS 125 141 [1], clause 6.2.1.1.

For a UTRA FDD BS additionally conforming to ETSI EN 301 908-18 [4], either the requirement of the present clause or the Base Station maximum output power requirement in clause 4.2.5 of ETSI EN 301 908-18 [4] can be equally applied, as listed in table 4.2.1-2.

4.2.5.2 Limit

The BS maximum output power level shall remain within the values provided in table 4.2.5.2-1 for normal and extreme test environments, relative to $P_{\text{rated,c}}$.

Table 4.2.5.2-1: Requirements for conducted BS output power

BS type	Frequency	Normal test environment	Extreme test environment
1-C and 1-H	$f \leq 3,0$ GHz	$\pm 2,7$ dB	$\pm 3,2$ dB
	$3,0$ GHz $< f \leq 4,20$ GHz	$\pm 3,0$ dB	$\pm 3,5$ dB

4.2.5.3 Conformance

The conformance tests for this requirement shall be as defined in clause 5.3.4 of the present document.

4.2.6 Transmitter intermodulation

4.2.6.1 Definition

The transmitter intermodulation requirement is a measure of the capability of the transmitter to inhibit the generation of signals in its non-linear elements caused by the presence of the wanted signal and an interfering signal reaching the transmitter via the antenna.

The transmitter intermodulation level is the power of the intermodulation products when a WCDMA interfering signal is injected into an antenna connector.

4.2.6.2 Limit

The transmit intermodulation level shall not exceed the out-of-band emission or the spurious emission requirements of clauses 4.2.2.2 (SEM), 4.2.3.2 (ACLR) and 4.2.4.2 (TX spurious) in the presence of a WCDMA interfering signal with a power level 30 dB less than rated total output power in the operating band.

The interfering signal frequency offset shall be as in table 4.2.6.1-1.

Table 4.2.6.1-1: Interfering signal frequency offset

Parameter	Value
Interfering signal centre frequency offset from the wanted signal centre frequency	-5 MHz -10 MHz -15 MHz +5 MHz +10 MHz +15 MHz
Interfering signal centre frequency offset from the lower/upper edge of the wanted signal or sub-block edge inside a gap	-2,5 MHz -7,5 MHz -12,5 MHz +2,5 MHz +7,5 MHz +12,5 MHz
NOTE: Interfering signal frequencies that are outside of any allocated frequency band for UTRA-FDD downlink specified in clause 1 are excluded from the requirement, unless the interfering signal positions fall within the frequency range of adjacent downlink operating bands, as listed in table 1-1.	

For BS capable of multi-band operation where multiple bands are mapped on separate antenna connectors, the single-band requirements shall apply regardless of the interfering signals position relative to the Inter RF Bandwidth gap.

For multi-carrier operation, the interfering signal offset is defined relative to the lower/upper edge of the wanted signal or sub-block edge inside a gap.

For a BS operating in non-contiguous spectrum, the requirement is also applicable inside a sub-block gap for interfering signal offsets where the interfering signal falls completely within the sub-block gap. The interfering signal offset is defined relative to the sub-block edges.

For a BS capable of multi-band operation, the requirement is also applicable inside an Inter RF Bandwidth gap for interfering signal offsets where the interfering signal falls completely within the Inter RF Bandwidth gap. The interfering signal offset is defined relative to the BS RF Bandwidth edges.

The measurements for out of band emission or spurious emission requirement due to intermodulation are limited to the frequency ranges of all third and fifth order intermodulation products, considering the width of these products and excluding the bandwidths of the wanted and interfering signals.

For a UTRA FDD BS additionally conforming to ETSI EN 301 908-18 [4], either the requirement of the present clause or the Transmitter intermodulation requirement in clause 4.2.6 of ETSI EN 301 908-18 [4] can be equally applied, as listed in table 4.2.1-2.

4.2.6.3 Conformance

The conformance tests for this requirement shall be as defined in clause 5.3.5 of the present document.

4.2.7 Receiver spurious emissions

4.2.7.1 Definition

The spurious emission power is the power of the emissions generated or amplified in a receiver, which appear at the BS antenna connector.

Receiver spurious emission limits shall apply from 9 kHz to 12,75 GHz, or 5th harmonic limit of the downlink operating band, excluding the frequency ranges from 12,5 MHz below the lowest carrier frequency used up to 12,5 MHz above the highest carrier frequency used.

NOTE: For bands VII and XXII, the upper limit is more than 12,75 GHz in order to comply with the 5th harmonic limit of the downlink *operating band*, as specified in Recommendation ITU-R SM.329-12 [i.7].

The requirement applies to all BS with separate RX and TX antenna connectors. For antenna connectors supporting both RX and TX in FDD operation, the RX spurious emissions requirements are superseded by the TX spurious emissions limits, as specified in clause 4.2.4.

The test shall be performed when both TX and RX are on with the TX antenna connector terminated.

For a UTRA FDD BS additionally conforming to ETSI EN 301 908-18 [4], either the requirement of the present clause or the Receiver spurious emissions requirement in clause 4.2.7 of ETSI EN 301 908-18 [4] can be equally applied, as listed in table 4.2.1-2.

4.2.7.2 Limit

The power of any spurious emission shall not exceed the limit specified in table 4.2.7.2-1.

For BS capable of multi-band operation, the exclusions and conditions in the last column of table 4.2.7.2-1 shall apply for each supported operating band. For BS capable of multi-band operation where multiple bands are mapped on separate antenna connectors, the single-band requirements shall apply, and the excluded frequency range is only applicable for the operating band supported on each antenna connector.

In addition to the requirements in table 4.2.7.2-1, the power of any spurious emission shall not exceed the levels specified in clauses 4.2.4.2.2 and 4.2.4.2.4.

Table 4.2.7.2-1: Spurious emission limit (general)

Frequency range	Limit	Measurement bandwidth	Exclusions and conditions
30 MHz to 1 GHz	-57 dBm	100 kHz	With the exception of frequencies between 12,5 MHz below the first carrier frequency and 12,5 MHz above the last carrier frequency transmitted by the BS transmitter.
1 GHz to 12,75 GHz	-47 dBm	1 MHz	
12,75 GHz to 5 th harmonic of the upper frequency edge of the UL operating band	-47 dBm	1 MHz	Applies only for Bands VII and XXII.

4.2.7.3 Conformance

The conformance tests for this requirement shall be as defined in clause 5.3.6 of the present document.

4.2.8 Blocking characteristics

4.2.8.1 Definition

The blocking characteristics are a measure of the receiver's ability to receive a wanted signal at its assigned channel frequency in the presence of an unwanted interfering signal on frequencies other than those of the adjacent channels. The interferences are either a WCDMA signal for in-band blocking or a CW signal for out-of-band blocking.

The blocking requirement shall apply as specified in tables 4.2.8.2-1, 4.2.8.2-2 or 4.2.8.2-3.

The requirements shall apply to the indicated Base Station class, depending on which frequency band is used.

For a UTRA FDD BS additionally conforming to ETSI EN 301 908-18 [4], either the requirement of the present clause or the In-band and Out-of-band blocking requirements in clauses 4.2.8 and 4.2.9 of ETSI EN 301 908-18 [4] can be equally applied, as listed in table 4.2.1-2.

4.2.8.2 Limit

For each measured carrier, the BER shall not exceed 0,001 for the parameters specified in tables 4.2.8.2-1, 4.2.8.2-2 or 4.2.8.2-3, depending on the Base Station class and operating band.

In addition, for Base Stations operating in band III or VIII, the BER shall not exceed 0,001 for the parameters specified in tables 4.2.8.2-4, 4.2.8.2-5 or 4.2.8.2-6, depending on the Base Station class and operating band.

For a BS operating in a non-contiguous spectrum within any operating band, the blocking requirement applies in addition inside any sub-block gap, in case the sub-block gap size is at least 15 MHz. The interfering signal offset is defined relative to the lower/upper sub-block edge inside the sub-block gap and is equal to -7,5 MHz/+7,5 MHz, respectively.

For a BS operating in a non-contiguous spectrum within any operating band, the narrowband blocking requirements in tables 4.2.8.2-4 to 4.2.8.2-6 shall apply in addition inside any sub-block gap, in case the sub-block gap size is at least 400 kHz or 600 kHz, depending on the operating band. The interfering signal offset is defined relative to the lower/upper sub-block edge inside the sub-block gap and is equal to -200 kHz/+200 kHz or -300 kHz/+300 kHz, respectively.

For a BS capable of multi-band operation, the requirement in the in-band blocking frequency range shall apply for each supported operating band. The requirement shall apply in addition inside any Inter RF Bandwidth gap, in case the Inter RF Bandwidth gap size is at least 15 MHz. The interfering signal offset is defined relative to lower/upper BS RF Bandwidth edges inside the Inter RF Bandwidth gap and is equal to -7,5 MHz/+7,5 MHz, respectively.

For a BS capable of multi-band operation, the requirement in the out-of-band blocking frequency ranges shall apply for each operating band, with the exception that the in-band blocking frequency ranges of all supported operating bands according to tables 4.2.8.2-1 to 4.2.8.2-3 shall be excluded from the out-of-band blocking requirement.

For a BS capable of multi-band operation, the narrowband blocking requirement shall apply in addition inside any Inter RF Bandwidth gap, in case the Inter RF Bandwidth gap size is at least 400 kHz or 600 kHz, depending on the operating band. The interfering signal offset is defined relative to lower/upper BS RF Bandwidth edges inside the Inter RF Bandwidth gap and is equal to -200 kHz/+200 kHz or -300 kHz/+300 kHz, respectively.

Table 4.2.8.2-1: Blocking characteristics for Wide Area BS

Operating band	Centre frequency of interfering signal	Interfering signal mean power	Wanted signal mean power	Minimum offset of interfering signal	Type of interfering signal
I	1 920 MHz to 1 980 MHz	-40 dBm	-115 dBm	±10 MHz	WCDMA signal (see note 1)
	1 900 MHz to 1 920 MHz 1 980 MHz to 2 000 MHz	-40 dBm	-115 dBm	±10 MHz	WCDMA signal (see note 1)
	1 MHz to 1 900 MHz 2 000 MHz to 12 750 MHz	-15 dBm	-115 dBm	-	CW carrier
III	1 710 MHz to 1 785 MHz	-40 dBm	-115 dBm	±10 MHz	WCDMA signal (see note 1)
	1 690 MHz to 1 710 MHz 1 785 MHz to 1 805 MHz	-40 dBm	-115 dBm	±10 MHz	WCDMA signal (see note 1)
	1 MHz to 1 690 MHz 1 805 MHz to 12 750 MHz	-15 dBm	-115 dBm	-	CW carrier
VII	2 500 MHz to 2 570 MHz	-40 dBm	-115 dBm	±10 MHz	WCDMA signal (see note 1)
	2 480 MHz to 2 500 MHz 2 570 MHz to 2 590 MHz	-40 dBm	-115 dBm	±10 MHz	WCDMA signal (see note 1)
	1 MHz to 2 480 MHz 2 590 MHz to 12 750 MHz	-15 dBm	-115 dBm	-	CW carrier
VIII	880 MHz to 915 MHz	-40 dBm	-115 dBm	±10 MHz	WCDMA signal (see note 1)
	860 MHz to 880 MHz 915 MHz to 925 MHz	-40 dBm	-115 dBm	±10 MHz	WCDMA signal (see note 1)
	1 MHz to 860 MHz 925 MHz to 12 750 MHz	-15 dBm	-115 dBm	-	CW carrier
XX	832 MHz to 862 MHz	-40 dBm	-115 dBm	±10 MHz	WCDMA signal (see note 1)
	821 MHz to 832 MHz 862 MHz to 882 MHz	-40 dBm	-115 dBm	±10 MHz	WCDMA signal (see note 1)
	1 MHz to 821 MHz 882 MHz to 12 750 MHz	-15 dBm	-115 dBm	-	CW carrier
XXII	3 410 MHz to 3 490 MHz	-40 dBm	-115 dBm	±10 MHz	WCDMA signal (see note 1)
	3 390 MHz to 3 410 MHz 3 490 MHz to 3 510 MHz	-40 dBm	-115 dBm	±10 MHz	WCDMA signal (see note 1)
	1 MHz to 3 390 MHz 3 510 MHz to 12 750 MHz	-15 dBm	-115 dBm	-	CW carrier
NOTE 1: The characteristics of the WCDMA interference signal are specified in ETSI TS 125 141 [1], annex I.					
NOTE 2: Void.					
NOTE 3: For a BS capable of multiband operation, in case of interfering signal that is not in the in-band blocking frequency range of the operating band where the wanted signal is present, and not in an adjacent or overlapping band, the wanted signal mean power is equal to -119,6 dBm.					

Table 4.2.8.2-2: Blocking characteristics for Medium Range BS

Operating band	Centre frequency of interfering signal	Interfering signal mean power	Wanted signal mean power	Minimum offset of interfering signal	Type of interfering signal
I	1 920 MHz to 1 980 MHz	-35 dBm	-105 dBm	±10 MHz	WCDMA signal (see note 1)
	1 900 MHz to 1 920 MHz 1 980 MHz to 2 000 MHz	-35 dBm	-105 dBm	±10 MHz	WCDMA signal (see note 1)
	1 MHz to 1 900 MHz 2 000 MHz to 12 750 MHz	-15 dBm	-105 dBm	-	CW carrier
III	1 710 MHz to 1 785 MHz	-35 dBm	-105 dBm	±10 MHz	WCDMA signal (see note 1)
	1 690 MHz to 1 710 MHz 1 785 MHz to 1 805 MHz	-35 dBm	-105 dBm	±10 MHz	WCDMA signal (see note 1)
	1 MHz to 1 690 MHz 1 805 MHz to 12 750 MHz	-15 dBm	-105 dBm	-	CW carrier
VII	2 500 MHz to 2 570 MHz	-35 dBm	-105 dBm	±10 MHz	WCDMA signal (see note 1)
	2 480 MHz to 2 500 MHz 2 570 MHz to 2 590 MHz	-35 dBm	-105 dBm	±10 MHz	WCDMA signal (see note 1)
	1 MHz to 2 480 MHz 2 590 MHz to 12 750 MHz	-15 dBm	-105 dBm	-	CW carrier
VIII	880 MHz to 915 MHz	-35 dBm	-105 dBm	±10 MHz	WCDMA signal (see note 1)
	860 MHz to 880 MHz 915 MHz to 925 MHz	-35 dBm	-105 dBm	±10 MHz	WCDMA signal (see note 1)
	1 MHz to 860 MHz 925 MHz to 12 750 MHz	-15 dBm	-105 dBm	-	CW carrier
XX	832 MHz to 862 MHz	-35 dBm	-105 dBm	±10 MHz	WCDMA signal (see note 1)
	821 MHz to 832 MHz 862 MHz to 882 MHz	-35 dBm	-105 dBm	±10 MHz	WCDMA signal (see note 1)
	1 MHz to 821 MHz 882 MHz to 12 750 MHz	-15 dBm	-105 dBm	-	CW carrier
XXII	3 410 MHz to 3 490 MHz	-35 dBm	-105 dBm	±10 MHz	WCDMA signal (see note 1)
	3 390 MHz to 3 410 MHz 3 490 MHz to 3 510 MHz	-35 dBm	-105 dBm	±10 MHz	WCDMA signal (see note 1)
	1 MHz to 3 390 MHz 3 510 MHz to 12 750 MHz	-15 dBm	-105 dBm	-	CW carrier
NOTE 1: The characteristics of the WCDMA interference signal are specified in ETSI TS 125 141 [1], annex I.					
NOTE 2: Void.					
NOTE 3: For a BS capable of multiband operation, in case of interfering signal that is not in the in-band blocking frequency range of the operating band where the wanted signal is present, and not in an adjacent or overlapping band, the wanted signal mean power is equal to -109,6 dBm.					

Table 4.2.8.2-3: Blocking characteristics for Local Area BS and Home BS

Operating band	Centre frequency of interfering signal	Interfering signal mean power	Wanted signal mean power	Minimum offset of interfering signal	Type of interfering signal
I	1 920 MHz to 1 980 MHz	-30 dBm	-101 dBm	±10 MHz	WCDMA signal (see note 1)
	1 900 MHz to 1 920 MHz 1 980 MHz to 2 000 MHz	-30 dBm	-101 dBm	±10 MHz	WCDMA signal (see note 1)
	1 MHz to 1 900 MHz 2 000 MHz to 12 750 MHz	-15 dBm	-101 dBm	-	CW carrier
III	1 710 MHz to 1 785 MHz	-30 dBm	-101 dBm	±10 MHz	WCDMA signal (see note 1)
	1 690 MHz to 1 710 MHz 1 785 MHz to 1 805 MHz	-30 dBm	-101 dBm	±10 MHz	WCDMA signal (see note 1)
	1 MHz to 1 690 MHz 1 805 MHz to 12 750 MHz	-15 dBm	-101 dBm	-	CW carrier
VII	2 500 MHz to 2 570 MHz	-30 dBm	-101 dBm	±10 MHz	WCDMA signal (see note 1)
	2 480 MHz to 2 500 MHz 2 570 MHz to 2 590 MHz	-30 dBm	-101 dBm	±10 MHz	WCDMA signal (see note 1)
	1 MHz to 2 480 MHz 2 590 MHz to 12 750 MHz	-15 dBm	-101 dBm	-	CW carrier
VIII	880 MHz to 915 MHz	-30 dBm	-101 dBm	±10 MHz	WCDMA signal (see note 1)
	860 MHz to 880 MHz 915 MHz to 925 MHz	-30 dBm	-101 dBm	±10 MHz	WCDMA signal (see note 1)
	1 MHz to 860 MHz 925 MHz to 12 750 MHz	-15 dBm	-101 dBm	-	CW carrier
XX	832 MHz to 862 MHz	-30 dBm	-101 dBm	±10 MHz	WCDMA signal (see note 1)
	821 MHz to 832 MHz 862 MHz to 882 MHz	-30 dBm	-101 dBm	±10 MHz	WCDMA signal (see note 1)
	1 MHz to 821 MHz 882 MHz to 12 750 MHz	-15 dBm	-101 dBm	-	CW carrier
XXII	3 410 MHz to 3 490 MHz	-30 dBm	-101 dBm	±10 MHz	WCDMA signal (see note 1)
	3 390 MHz to 3 410 MHz 3 490 MHz to 3 510 MHz	-30 dBm	-101 dBm	±10 MHz	WCDMA signal (see note 1)
	1 MHz to 3 390 MHz 3 510 MHz to 12 750 MHz	-15 dBm	-101 dBm	-	CW carrier
NOTE 1: The characteristics of the WCDMA interference signal are specified in ETSI TS 125 141 [1], annex I.					
NOTE 2: Void.					
NOTE 3: For a BS capable of multiband operation, in case of interfering signal that is not in the in-band blocking frequency range of the operating band where the wanted signal is present, and not in an adjacent or overlapping band, the wanted signal mean power is equal to -105,6 dBm.					

Table 4.2.8.2-4: Narrowband blocking characteristics for Wide Area BS (operating band III and VIII)

Operating band	Centre frequency of interfering signal	Interfering signal mean power	Wanted signal mean power	Minimum offset of interfering signal	Type of interfering signal
III	1 710 MHz to 1 785 MHz	-47 dBm	-115 dBm	±2,8 MHz	GMSK modulated (see note)
VIII	880 MHz to 915 MHz	-47 dBm	-115 dBm	±2,8 MHz	GMSK modulated (see note)
NOTE: GMSK modulation as defined in ETSI TS 145 004 [2].					

**Table 4.2.8.2-5: Narrowband blocking characteristics for Medium Range BS
(operating band III and VIII)**

Operating band	Centre frequency of interfering signal	Interfering signal mean power	Wanted signal mean power	Minimum offset of interfering signal	Type of interfering signal
III	1 710 MHz to 1 785 MHz	-42 dBm	-105 dBm	±2,8 MHz	GMSK modulated (see note)
VIII	880 MHz to 915 MHz	-42 dBm	-105 dBm	±2,8 MHz	GMSK modulated (see note)

NOTE: GMSK modulation as defined in ETSI TS 145 004 [2].

**Table 4.2.8.2-6: Narrowband blocking characteristics for Local Area BS and Home BS
(operating band III and VIII)**

Operating band	Centre frequency of interfering signal	Interfering signal mean power	Wanted signal mean power	Minimum offset of interfering signal	Type of interfering signal
III	1 710 MHz to 1 785 MHz	-37 dBm	-101 dBm	±2,8 MHz	GMSK modulated (see note)
VIII	880 MHz to 915 MHz	-37 dBm	-101 dBm	±2,8 MHz	GMSK modulated (see note)

NOTE: GMSK modulation as defined in ETSI TS 145 004 [2].

4.2.8.3 Conformance

The conformance tests for this requirement shall be as defined in clause 5.3.7 of the present document.

4.2.9 Receiver intermodulation characteristics

4.2.9.1 Definition

Third and higher order mixing of the two interfering RF signals can produce an interfering signal in the band of the desired channel.

Intermodulation response rejection is a measure of the capability of the receiver to receive a wanted signal on its assigned channel frequency in the presence of two or more interfering signals which have a specific frequency relationship to the wanted signal.

For a UTRA FDD BS additionally conforming to ETSI EN 301 908-18 [4], either the requirement of the present clause or the Receiver intermodulation requirement in clause 4.2.10 of ETSI EN 301 908-18 [4] can be equally applied, as listed in table 4.2.1-2.

4.2.9.2 Limit

For each measured carrier, the BER shall not exceed 0,001 for the parameters specified in tables 4.2.9.2-1, 4.2.9.2-2 or 4.2.9.2-3, depending on the Base Station class.

In addition, for Base Stations operating in band III or VIII, the BER for each measured carrier shall not exceed 0,001 for the parameters specified in tables 4.2.9.2-4, 4.2.9.2-5 or 4.2.9.2-6, depending on the Base Station class and operating band.

For a BS operating in a non-contiguous spectrum within any operating band, the narrowband intermodulation requirement applies in addition inside any sub-block gap, in case the sub-block gap size is at least 6,8 MHz. The CW interfering signal offset is defined relative to the lower/upper sub-block edge inside the sub-block gap and is equal to -1 MHz/+1 MHz, respectively. The GMSK modulated interfering signal offset is defined relative to the lower/upper sub-block edge inside the sub-block gap and is equal to -3,4 MHz/+3,4 MHz, respectively. The requirement applies separately for both sub-blocks.

For a BS capable of multi-band operation, the narrowband intermodulation requirement applies in addition inside any Inter RF Bandwidth gap, in case the Inter RF Bandwidth gap size is at least 6,8 MHz. The CW interfering signal offset is defined relative to lower/upper BS RF Bandwidth edges inside the Inter RF Bandwidth gap and is equal to -1 MHz/+1 MHz, respectively. The GMSK modulated interfering signal offset is defined relative to lower/upper BS RF Bandwidth edges inside the Inter RF Bandwidth gap and is equal to -3,4 MHz/+3,4 MHz, respectively.

Table 4.2.9.2-1: Wide Area BS intermodulation requirement

Type of signal	Offset	Signal mean power
Wanted signal	-	-115 dBm
CW signal	± 10 MHz	-48 dBm
WCDMA signal (see note)	± 20 MHz	-48 dBm
NOTE: The characteristics of the WCDMA interference signal are specified in ETSI TS 125 141 [1], annex I.		

Table 4.2.9.2-2: Medium Range BS intermodulation requirement

Type of signal	Offset	Signal mean power
Wanted signal	-	-105 dBm
CW signal	± 10 MHz	-44 dBm
WCDMA signal (see note)	± 20 MHz	-44 dBm
NOTE: The characteristics of the WCDMA interference signal are specified in ETSI TS 125 141 [1], annex I.		

Table 4.2.9.2-3: Local Area BS and Home BS intermodulation requirement

Type of signal	Offset	Signal mean power
Wanted signal	-	-101 dBm
CW signal	± 10 MHz	-38 dBm
WCDMA signal (see note)	± 20 MHz	-38 dBm
NOTE: The characteristics of the WCDMA interference signal are specified in ETSI TS 125 141 [1], annex I.		

Table 4.2.9.2-4: Wide Area BS narrowband intermodulation requirement (operating band III and VIII)

Type of signal	Offset	Signal mean power
Wanted signal	-	-115 dBm
CW signal	$\pm 3,5$ MHz	-47 dBm
GMSK signal (see note)	$\pm 5,9$ MHz	-47 dBm
NOTE: GMSK modulation as defined in ETSI TS 145 004 [2].		

Table 4.2.9.2-5: Medium Range BS narrowband intermodulation requirement (operating band III and VIII)

Type of signal	Offset	Signal mean power
Wanted signal	-	-105 dBm
CW signal	$\pm 3,5$ MHz	-43 dBm
GMSK signal (see note)	$\pm 5,9$ MHz	-43 dBm
NOTE: GMSK modulation as defined in ETSI TS 145 004 [2].		

Table 4.2.9.2-6: Local Area BS and Home BS narrowband intermodulation requirement (operating band III and VIII)

Type of signal	Offset	Signal mean power
Wanted signal	-	-101 dBm
CW signal	$\pm 3,5$ MHz	-37 dBm
GMSK signal (see note)	$\pm 5,9$ MHz	-37 dBm
NOTE: GMSK modulation as defined in ETSI TS 145 004 [2].		

4.2.9.3 Conformance

The conformance tests for this requirement shall be as defined in clause 5.3.8 of the present document.

4.2.10 Receiver adjacent channel selectivity

4.2.10.1 Definition

Adjacent Channel Selectivity (ACS) is a measure of the receiver's ability to receive a wanted signal at its assigned channel frequency in the presence of an adjacent channel signal at a given frequency offset from the centre frequency of the assigned channel. ACS is the ratio of the receiver filter attenuation on the assigned channel frequency to the receive filter attenuation on the adjacent channel(s).

The interference signal is offset from the wanted signal by the frequency offset F_{uw} . The interference signal shall be a WCDMA signal as specified in ETSI TS 125 141 [1], annex I.

For a UTRA FDD BS additionally conforming to ETSI EN 301 908-18 [4], either the requirement of the present clause or the Narrowband blocking requirement in clause 4.2.11 of ETSI EN 301 908-18 [4] can be equally applied, as listed in table 4.2.1-2.

4.2.10.2 Limit

For each measured carrier, the BER shall not exceed 0,001 using the parameters specified in tables 4.2.10.2-1, 4.2.10.2-2, 4.2.10.2-3 and/or 4.2.10.2-4, depending on the Base Station class.

For multi-carrier BS, the ACS requirement is applicable outside the BS RF Bandwidth or Maximum Radio Bandwidth edges. The interfering signal offset is defined relative to the lower (upper) or Maximum Radio Bandwidth edges.

For a BS operating in a non-contiguous spectrum within any operating band, the requirement shall apply in addition inside any sub-block gap, in case the sub-block gap size is at least 5 MHz. The interfering signal offset is defined relative to the lower/upper sub-block edge inside the sub-block gap and is equal to -2,5 MHz/+2,5 MHz, respectively.

For a BS capable of multi-band operation, the requirement applies in addition inside any Inter RF Bandwidth gap, in case the Inter RF Bandwidth gap size is at least 5 MHz. The interfering signal offset is defined relative to lower/upper BS RF Bandwidth edges inside the Inter RF Bandwidth gap and is equal to -2,5 MHz/+2,5 MHz, respectively.

Table 4.2.10.2-1: Adjacent channel selectivity for Wide Area BS

Parameter	Level	Unit
Reference measurement channel data rate	12,2	kbit/s
Wanted signal mean power	-115	dBm
Interfering signal mean power	-52	dBm
F_{uw} offset (modulated)	± 5	MHz

Table 4.2.10.2-2: Adjacent channel selectivity for Medium Range BS

Parameter	Level	Unit
Reference measurement channel data rate	12,2	kbit/s
Wanted signal mean power	-105	dBm
Interfering signal mean power	-42	dBm
F_{uw} offset (modulated)	± 5	MHz

Table 4.2.10.2-3: Adjacent channel selectivity for Local Area BS and Home BS

Parameter	Level	Unit
Reference measurement channel data rate	12,2	kbit/s
Wanted signal mean power	-101	dBm
Interfering signal mean power	-38	dBm
F_{uw} offset (modulated)	± 5	MHz

Table 4.2.10.2-4: Adjacent channel selectivity for Home BS (additional requirement)

Parameter	Level	Unit
Reference measurement channel data rate	12,2	kbit/s
Wanted signal mean power	-91	dBm
Interfering signal mean power	-28	dBm
F_{uw} offset (modulated)	± 5	MHz
NOTE: This additional requirement for Home BS ensures the performance is met over a large dynamic range.		

4.2.10.3 Conformance

The conformance tests for this requirement shall be as defined in clause 5.3.9 of the present document.

4.2.11 Home BS output power for adjacent channel protection

4.2.11.1 Definition

The Home BS shall be capable of adjusting the transmitter output power to minimize the interference level on the adjacent channels while optimize the Home BS coverage, in case an adjacent channel is licensed to another operator in the same geographical area. These requirements are only applicable to Home BS. The requirements in this clause are applicable for AWGN radio propagation conditions.

4.2.11.2 Limit

The output power, P_{out} , of the Home BS shall be as specified in table 4.2.11.2-1 under the following input conditions:

- $CPICH \hat{E}_c$, measured in dBm, is the code power of the Primary CPICH on one of the adjacent channels presented at the Home BS antenna connector for the CPICH received on the adjacent channels. If TX diversity is applied on the Primary CPICH, $CPICH \hat{E}_c$ shall be the sum (in W) of the code powers of the Primary CPICH transmitted from each antenna.
- I_{oh} , measured in dBm, is the total received power density, including signals and interference but excluding the own Home BS signal, presented at the Home BS antenna connector on the Home BS operating channel.

The input conditions defined for the requirements in this clause are specified at the antenna connector of the Home BS. For Home BS receivers with diversity, the requirements apply to each antenna connector separately, with the other one(s) terminated or disabled.

Table 4.2.11.2-1: Home BS output power for adjacent operator channel protection

Input Conditions	Output power, P_{out} (without transmit diversity or any MIMO mode)	Output power, P_{out} (with transmit diversity or MIMO mode)	Output power, P_{out} (with MIMO mode with four transmit antennas)
$I_{oh} > CPICH \hat{E}_c + 43$ dB and $CPICH \hat{E}_c \geq -105$ dBm	≤ 10 dBm	≤ 7 dBm	≤ 4 dBm
$I_{oh} \leq CPICH \hat{E}_c + 43$ dB and $CPICH \hat{E}_c \geq -105$ dBm	$\leq \max(8 \text{ dBm}, \min(20 \text{ dBm},$ $CPICH \hat{E}_c + 100 \text{ dB}))$	$\leq \max(5 \text{ dBm}, \min(17 \text{ dBm},$ $CPICH \hat{E}_c + 97 \text{ dB}))$	$\leq \max(2 \text{ dBm}, \min(14 \text{ dBm},$ $CPICH \hat{E}_c + 94 \text{ dB}))$
$CPICH \hat{E}_c < -105$ dBm	≤ 20 dBm	≤ 17 dBm	≤ 14 dBm

In normal test environment, the output power, P_{out} , of the Home BS shall be equal to or less than the value specified in table 4.2.11.2-1 plus 2,7 dB.

In extreme test environment, the output power, P_{out} , of the Home BS shall be equal to or less than the value specified in table 4.2.11.2-1 plus 3,2 dB.

4.2.11.3 Conformance

The conformance tests for this requirement shall be as defined in clause 5.3.10 of the present document.

4.2.12 Reference sensitivity level

4.2.12.1 Definition

The reference sensitivity level is the minimum mean power received at the antenna connector at which the BER shall be met for a specified reference measurement channel.

4.2.12.2 Limit

For each UTRA carrier, the BER shall not exceed 0,001 with the parameter setting in table 4.2.12.2-1.

Reference measurement channel is specified in ETSI TS 125 141 [1], annex A

Table 4.2.12.2-1: BS reference sensitivity parameters

BS class	Reference measurement channel data rate	BS reference sensitivity level (dBm)	
		$f \leq 3,0$ GHz	$3,0$ GHz $< f \leq 4,2$ GHz
Wide Area BS	12,2 kbps	-120,3	-120,0
Medium Range BS	12,2 kbps	-110,3	-110,0
Local Area BS / Home BS	12,2 kbps	-106,3	-106,0

4.2.12.3 Conformance

The conformance tests for this requirement shall be as defined in clause 5.3.11 of the present document.

5 Testing for compliance with technical requirements

5.1 Environmental conditions for testing

Tests defined in the present document shall be carried out at representative points within the boundary limits of the operational environmental profile defined by its intended use, which, as a minimum, shall be that specified in the test conditions contained in the present document.

Where technical performance varies subject to environmental conditions, tests shall be carried out under a sufficient variety of environmental conditions as specified in the present document to give confidence of compliance for the affected technical requirements.

All tests are performed using normal test environment, except where otherwise stated in the initial conditions. For guidance on the use of other test conditions to be used in order to show compliance, reference can be made to clause 4.4 in ETSI TS 125 141 [1].

5.2 Interpretation of measurement results

Recommended values for the maximum measurement uncertainty can be found in annex C.

5.3 Essential radio test suites

5.3.0 Introduction

This clause describes the test suites for BS.

The test configurations and channel spacing for multi-carrier operations shall be used for demonstrating conformance are specified in ETSI TS 125 141 [1], clauses 4.12 and 3.5.1.

For the single carrier testing, many tests in the present document are performed with appropriate frequencies in the bottom, middle and top of the operating band of the BS. These are denoted as RF channels B (bottom), M (middle) and T (top) and are defined in ETSI TS 125 141 [1], clause 4.8.

For single-band multi-carrier testing, many tests in the present document are performed with the maximum BS RF Bandwidth position located at the bottom, middle and top of the supported frequency range in each operating band. These are denoted as B_{RFBW} (bottom), M_{RFBW} (middle) and T_{RFBW} (top) for non-aggregated channels and are defined in ETSI TS 125 141 [1], clause 4.8.1.

For multi-band testing, many tests in the present document are performed with the BS RF Bandwidths located at the bottom of the supported frequency range in the lower operating band and at the top of the supported frequency range in the upper operating band. These are denoted as $B_{\text{RFBW}}T_{\text{RFBW}}$ and $B'_{\text{RFBW}}T_{\text{RFBW}}$ and are defined in ETSI TS 125 141 [1], clause 4.8.1. The measurement system required for each test is described in ETSI TS 125 141 [1], annex B.

5.3.1 Spectrum emission mask (SEM)

5.3.1.0 General

For a UTRA FDD BS additionally conforming to ETSI EN 301 908-18 [4], either the test suite of the present clause or the Operating band unwanted emissions test suite in clause 5.3.1 of ETSI EN 301 908-18 [4] can be equally applied, as listed in table 4.2.1-2.

5.3.1.1 Initial conditions

Test environment:

- Normal; see ETSI TS 125 141 [1], clause 4.4.1.

RF channels to be tested for single carrier operation:

- B, M and T; see clause 5.3.0.

BS RF Bandwidth positions to be tested for multi-carrier operation:

- B_{RFBW} , M_{RFBW} and T_{RFBW} in single-band operation; see clause 5.3.0.
- $B_{\text{RFBW}}T_{\text{RFBW}}$ and $B'_{\text{RFBW}}T_{\text{RFBW}}$ in multi-band operation; see clause 5.3.0.

NOTE: An example of the measurement test setup is in ETSI TS 125 141 [1], annex B.

Measurement device characteristics shall be:

- Measurements with an offset from the carrier centre frequency between 2,515 MHz and 4,0 MHz shall use a 30 kHz measurement bandwidth.
- Measurements with an offset from the carrier centre frequency between 4,0 MHz and $(f_{\text{offset}_{\text{max}}} - 500 \text{ kHz})$ shall use a 1 MHz measurement bandwidth.
- Detection mode: true RMS

5.3.1.2 Procedures

- 1) For a BS capable of single carrier operation only, set the Base Station to transmit a signal according to test model TM1, as defined in ETSI TS 125 141 [1], at rated output power, $P_{\text{rated,c}}$.

For a BS capable of multi-carrier operation, set the Base Station to transmit according to TM1 on all carriers configured using the applicable test configuration and corresponding power setting specified in ETSI TS 125 141 [1], clause 4.12.

- 2) Step the centre frequency of the measurement filter in contiguous steps and measure the emission within the specified frequency ranges with the specified measurement bandwidth. For BS operating in multiple bands or non-contiguous spectrum, the emission within the Inter RF Bandwidth or sub-block gap shall be measured using the specified measurement bandwidth from the closest RF Bandwidth or sub-block edge.

In addition, for a multi-band capable BS, the following steps shall apply:

- 3) For multi-band capable BS and single-band tests, repeat the steps above per involved band where single-band test configurations and test models shall apply with no carrier activated in the other band.

For multi-band capable BS with separate antenna connector, the antenna connector not being under test in case of single-band or multi-band test shall be terminated.

5.3.1.3 Test requirement

The results shall fulfil the conditions and limits of clause 4.2.2.2.

5.3.2 Adjacent Channel Leakage power Ratio (ACLR)

5.3.2.1 Initial conditions

Test environment:

- Normal; see ETSI TS 125 141 [1], clause 4.4.1.

RF channels to be tested for single carrier operation:

- B, M and T; see clause 5.3.0.

BS RF Bandwidth positions to be tested for multi-carrier operation:

- B_{RFBW} , M_{RFBW} and T_{RFBW} in single-band operation; see clause 5.3.0.
- $B_{\text{RFBW}}T_{\text{RFBW}}$ and $B'_{\text{RFBW}}T_{\text{RFBW}}$ in multi-band operation; see clause 5.3.0.

NOTE: An example of the measurement test setup is in ETSI TS 125 141 [1], annex B.

The measurement device characteristics shall be:

- Measurement filter bandwidth: defined in clause 4.2.3.1.
- Detection mode: true RMS.

5.3.2.2 Procedure

- 1) For a BS of single carrier operation only, set the Base Station to transmit a signal according to test model TM1, as defined in clause 6.1.1 in ETSI TS 125 141 [1], at rated output power, $P_{\text{rated,c}}$.

For a BS capable of multi-carrier operation, set the Base Station to transmit according to TM1 on all carriers configured using the applicable test configuration and corresponding power setting specified in ETSI TS 125 141 [1], clause 4.12.

- 2) Set carrier frequency within the frequency band supported by BS. Minimum carrier spacing shall be 5 MHz, and maximum carrier spacing shall be specified by manufacturer.
- 3) Measure ACLR and Adjacent channel power for 5 MHz and 10 MHz offsets on both side of channel frequency. In multiple carrier case only offset frequencies below the lowest and above the highest carrier frequency transmitted shall be measured.

- 4) For the ACLR requirement applied inside sub-block gap for non-contiguous spectrum operation or inside Inter RF Bandwidth gap for multi-band operation:
 - a) Measure ACLR inside sub-block gap or Inter RF Bandwidth gap as specified in clause 4.2.3.2, if applicable.
 - b) Measure Cumulative Adjacent Channel Leakage power Ratio (CACLR) inside sub-block gap or Inter RF Bandwidth gap as specified in clause 4.2.3.2.3, if applicable.

In addition, for a multi-band capable BS, the following steps shall apply:

- 5) For multi-band capable BS and single-band tests, repeat the steps above per involved band where single-band test configurations and test models shall apply with no carrier activated in the other band.

For multi-band capable BS with separate antenna connector, the antenna connector not being under test in case of single-band or multi-band test shall be terminated.

5.3.2.3 Test requirement

The results shall fulfil the conditions and limits of clause 4.2.3.2.

5.3.3 Transmitter spurious emissions

5.3.3.0 General

For a UTRA FDD BS additionally conforming to ETSI EN 301 908-18 [4], either the test suite of the present clause or the Transmitter spurious emissions test suite in clause 5.3.3 of ETSI EN 301 908-18 [4] can be equally applied, as listed in table 4.2.1-2.

5.3.3.1 Initial conditions

Test environment:

- Normal; see ETSI TS 125 141 [1], clause 4.4.1.

RF channels to be tested for single carrier operation:

- B, M and T; see clause 5.3.0.

BS RF Bandwidth positions to be tested for multi-carrier operation:

- B_{RFBW} , M_{RFBW} and T_{RFBW} in single-band operation; see clause 5.3.0.
- $B_{RFBW_T_{RFBW}}$ and $B'_{RFBW_T_{RFBW}}$ in multi-band operation; see clause 5.3.0.

NOTE: An example of the measurement test setup is in ETSI TS 125 141 [1], annex B.

Connect the BS antenna connector to a measurement receiver using an attenuator or a directional coupler if necessary.

The measurement device characteristics shall be:

- Measurements shall use a measurement bandwidth in accordance to the tables in clause 4.2.4.2.
- Detection mode: true RMS.

5.3.3.2 Procedure

- 1) For a BS capable of single carrier operation only, set the Base Station to transmit a signal according to test model TM1, as defined in clause 6.1.1 in ETSI TS 125 141 [1], at rated output power, $P_{rated,c}$.

For a BS capable of multi-carrier operation, set the Base Station to transmit according to TM1 on all carriers configured using the applicable test configuration and corresponding power setting specified in ETSI TS 125 141 [1], clause 4.12.

- 2) Measure the emission at the specified frequencies with specified *measurement bandwidth*.

In addition, for a multi-band capable BS, the following steps shall apply:

- 3) For multi-band capable BS and single-band tests, repeat the steps above per involved band where single-band test configurations and test models shall apply with no carrier activated in the other band.

For multi-band capable BS with separate antenna connector, the antenna connector not being under test in case of single-band or multi-band test shall be terminated.

5.3.3.3 Test requirement

The results shall fulfil the conditions and limits of clause 4.2.4.2.

5.3.4 Base Station maximum output power

5.3.4.0 General

The test purpose is to verify the accuracy of the maximum output power per carrier across the frequency range and under normal and extreme environment.

For a UTRA FDD BS additionally conforming to ETSI EN 301 908-18 [4], either the test suite of the present clause or the Base Station maximum output power test suite in clause 5.3.4 of ETSI EN 301 908-18 [4] can be equally applied, as listed in table 4.2.1-2.

5.3.4.1 Initial conditions

Test environment:

- Normal; see ETSI TS 125 141 [1], clause 4.4.1.
- Extreme; see ETSI TS 125 141 [1], clauses 4.4.2 and 4.4.4.

RF channels to be tested for single carrier operation:

- B, M and T; see clause 5.3.0.

BS RF Bandwidth positions to be tested for multi-carrier operation:

- B_{RFBW} , M_{RFBW} and T_{RFBW} in single-band operation; see clause 5.3.0.
- $B_{\text{RFBW}}T_{\text{RFBW}}$ and $B'_{\text{RFBW}}T_{\text{RFBW}}$ in multi-band operation; see clause 5.3.0.

In addition, on one UARFCN BS RF Bandwidth position only, the test shall be performed under extreme power supply conditions, as defined in ETSI TS 125 141 [1], clause 4.4.4.

NOTE 1: Tests under extreme power supply also test extreme temperature, see ETSI TS 125 141 [1], clause 4.4.2.

NOTE 2: Example of measurement test setup is in ETSI TS 125 141 [1], clause B.1.1.

5.3.4.2 Procedure

- 1) For a BS capable of single carrier operation only, set the Base Station to transmit a signal according to test model TM1, as defined in clause 6.1.1 in ETSI TS 125 141 [1], at rated output power, $P_{\text{rated,c}}$.

For a BS capable of multi-carrier operation, set the Base Station to transmit according to TM1 on all carriers configured using the applicable test configuration and corresponding power setting specified in ETSI TS 125 141 [1], clause 4.12.

- 2) Measure the maximum output power per carrier, $P_{\text{max,c}}$, at the antenna connector.

In addition, for a multi-band capable BS, the following steps shall apply:

- 3) For multi-band capable BS and single-band tests, repeat the steps above per involved band where single-band test configurations and test models shall apply with no carrier activated in the other band.

For multi-band capable BS with separate antenna connector, the antenna connector not being under test in case of single-band or multi-band test shall be terminated.

5.3.4.3 Test requirement

The results shall fulfil the conditions and limits of clause 4.2.5.2.

5.3.5 Transmit intermodulation

5.3.5.0 General

For a UTRA FDD BS additionally conforming to ETSI EN 301 908-18 [4], either the test suite of the present clause or the Transmitter intermodulation test suite in clause 5.3.5 of ETSI EN 301 908-18 [4] can be equally applied, as listed in table 4.2.1-2.

5.3.5.1 Initial conditions

Test environment:

- Normal; see ETSI TS 125 141 [1], clause 4.4.1.

RF channels to be tested for single carrier operation:

- B, M and T; see clause 5.3.0.

BS RF Bandwidth positions to be tested for multi-carrier operation:

- B_{RFBW} , M_{RFBW} and T_{RFBW} in single-band operation; see clause 5.3.0.
- $B_{RFBW_T_{RFBW}}$ and $B'_{RFBW_T_{RFBW}}$ in multi-band operation; see clause 5.3.0.

NOTE: An example of the measurement test setup is in ETSI TS 125 141 [1], annex B.

5.3.5.2 Procedures

- 1) For a BS capable of single carrier operation only, set the Base Station to transmit a signal according to test model TM1, as defined in clause 6.1.1 in ETSI TS 125 141 [1], at rated output power, $P_{rated,c}$.

For a BS capable of multi-carrier operation, set the Base Station to transmit according to TM1 on all carriers configured using the applicable test configuration and corresponding power setting specified in ETSI TS 125 141 [1], clause 4.12.

- 2) Generate the interfering signal in accordance to test model TM1 in clause 6.1.1 in ETSI TS 125 141 [1], with a frequency offset according to the conditions of table 4.2.6.1-1, but exclude interfering signal frequencies that are outside of the allocated downlink operating band or interfering signal frequencies that are not completely within the sub-block gap or within the Inter RF Bandwidth gap.
- 3) Adjust the level of the WCDMA-modulated interfering signal at BS to be 30 dB below the wanted signal.
- 4) Perform the out-of-band emission tests as specified in clauses 5.3.1 (SEM) and 5.3.2 (ACLR) for all third and fifth-order intermodulation products which appear in the frequency ranges defined in clauses 5.3.1 and 5.3.2. The width of the intermodulation products shall be taken into account.
- 5) Perform the spurious emission test as specified in clause 5.3.3 for all third and fifth-order intermodulation products which appear in the frequency ranges defined in clause 5.3.3. The width of the intermodulation products shall be taken into account.

- 6) Repeat the test for the remaining interfering signal centre frequency offsets according to the conditions of table 4.2.6.1-1.

In addition, for a multi-band capable BS, the following steps shall apply:

- 7) For multi-band capable BS and single-band tests, repeat the steps above per involved band where single-band test configurations and test models shall apply with no carrier activated in the other band.

For multi-band capable BS with a separate antenna connector, the antenna connector not being under test shall be terminated.

NOTE: The third-order intermodulation products are $(F1 \pm 2F2)$ and $(2F1 \pm F2)$, the fifth-order intermodulation products are $(2F1 \pm 3F2)$, $(3F1 \pm 2F2)$, $(4F1 \pm F2)$, and $(F1 \pm 4F2)$, where $F1$ represents the wanted signal frequency or centre frequency of each sub-block and $F2$ represents the interfering signal centre frequency. The widths of intermodulation products are:

- $(n \times BW_{F1} + m \times 5 \text{ MHz})$ for the $nF1 \pm mF2$ products
- $(n \times 5 \text{ MHz} + m \times BW_{F1})$ for the $nF2 \pm mF1$ products

where BW_{F1} represents the wanted signal RF bandwidth, or channel bandwidth in case of a single carrier, or sub-block bandwidth.

5.3.5.3 Test requirement

The results shall fulfil the conditions and limits of clause 4.2.6.2.

5.3.6 Receiver spurious emissions

5.3.6.0 General

For a UTRA FDD BS additionally conforming to ETSI EN 301 908-18 [4], either the test suite of the present clause or the Receiver spurious emissions test suite in clause 5.3.6 of ETSI EN 301 908-18 [4] can be equally applied, as listed in table 4.2.1-2.

5.3.6.1 Initial conditions

Test environment:

- Normal; see ETSI TS 125 141 [1], clause 4.4.1.

RF channels to be tested for single carrier operation:

- M, with multi-carrier if supported; see clause 5.3.0.

BS RF Bandwidth positions to be tested for multi-carrier operation:

- B_{RFBW} , M_{RFBW} and T_{RFBW} in single-band operation; see clause 5.3.0.
- $B_{RFBW_T'_{RFBW}}$ and $B'_{RFBW_T_{RFBW}}$ in multi-band operation; see clause 5.3.0.

NOTE: Example of measurement test setup is in ETSI TS 125 141 [1], annex B.

The measurement device characteristics shall be:

- Measurements shall use a measurement bandwidth in accordance to table 4.2.7.2-1.
- Detection mode: true RMS.

5.3.6.2 Procedure

- 1) For a BS capable of single carrier operation only, set the Base Station to transmit a signal according to test model TM1, as defined in ETSI TS 125 141 [1], at rated output power, $P_{\text{rated,c}}$.

For a BS capable of multi-carrier operation, set the Base Station to transmit according to TM1 on all carriers configured using the applicable test configuration and corresponding power setting for receiver tests, as specified in ETSI TS 125 141 [1], clause 4.12.

- 2) Measure the spurious emissions over each frequency range described in clause 4.2.7.2.
- 3) Repeat the test for the RX port(s), which was(were) terminated.

In addition, for a multi-band capable BS, the following steps shall apply:

- 4) For multi-band capable BS and single-band tests, repeat the steps above per involved band where single-band test configurations and test models shall apply with no carrier activated in the other band.

For multi-band capable BS with separate antenna connector, the antenna connector not being under test in case of single-band or multi-band test shall be terminated.

5.3.6.3 Test requirement

The results shall fulfil the conditions and limits of clause 4.2.7.2.

5.3.7 Blocking characteristics

5.3.7.0 General

For a UTRA FDD BS additionally conforming to ETSI EN 301 908-18 [4], either the test suite of the present clause or the In-band and Out-of-band blocking test suites in clauses 5.3.7 and 5.3.8 of ETSI EN 301 908-18 [4] can be equally applied, as listed in table 4.2.1-2.

5.3.7.1 Initial conditions

Test environment:

- Normal; see ETSI TS 125 141 [1], clause 4.4.1.

RF channels to be tested for single carrier operation:

- M; see clause 5.3.0.

The BS shall be configured to operate as close to the centre of the operating band as possible.

BS RF Bandwidth positions to be tested for multi-carrier operation:

- B_{RFBW} , M_{RFBW} and T_{RFBW} in single-band operation; see clause 5.3.0.
- $B_{\text{RFBW_T'RFBW}}$ and $B'_{\text{RFBW_T'RFBW}}$ in multi-band operation; see clause 5.3.0.

In addition, in multi-band operation:

- For $B_{\text{RFBW_T'RFBW}}$, out-of-band blocking testing above the highest operating band may be omitted.
- For $B'_{\text{RFBW_T'RFBW}}$, out-of-band blocking testing below the lowest operating band may be omitted.

NOTE: An example of the measurement test setup is in ETSI TS 125 141 [1], annex B.

The measurement device characteristics shall be:

- Measurements shall use a measurement bandwidth in accordance with table 4.2.7.2-1.

Connect WCDMA signal generator at the assigned channel frequency of the wanted signal and a signal generator to the antenna connector.

5.3.7.2 Procedure

- 1) Transmit a signal from the WCDMA signal generator to the BS. The characteristics of the signal shall be set according to the UL reference measurement channel (12,2 kbit/s) specified in ETSI TS 125 141 [1], clause A.2.1. The level of the WCDMA signal measured at the BS antenna connector shall be set to the level specified in clause 4.2.8.2. For a BS-supporting multi-carrier operation, generate the wanted signal according to the applicable test configuration (see clause 4.12 in ETSI TS 125 141 [1]) using the applicable reference measurement channel to the BS under test. Power settings are specified in clause 4.2.6.2.
- 2) For a BS capable of single carrier operation only, set the Base Station to transmit a signal according to test model TM1, as defined in ETSI TS 125 141 [1], at rated output power, $P_{\text{rated,c}}$.

For a BS capable of multi-carrier operation, set the Base Station to transmit according to TM1 on all carriers configured using the applicable test configuration and corresponding power setting for receiver tests, as specified in ETSI TS 125 141 [1], clause 4.12.

- 3) Set the signal generator to produce an interfering signal at a frequency offset F_{uw} from the assigned channel frequency of the wanted signal, which is given by:

$$F_{\text{uw}} = \pm(n \times 1 \text{ MHz});$$

where n shall be increased in integer steps from $n = 10$ up to such a value that the centre frequency of the interfering signal covers the range from 1 MHz to 12,75 GHz. The interfering signal level measured at the antenna connector shall be set in dependency of its centre frequency, as specified in tables 4.2.8.2-1 to 4.2.8.2-6. The type of the interfering signal is either equivalent to a continuous WCDMA signal with one code of chip frequency 3,84 Mchip/s, filtered by an RRC transmit pulse-shaping filter with roll-off $\alpha = 0,22$, a CW signal or a GMSK modulated signal; see tables 4.2.8.2-1 to 4.2.8.2-6.

For narrowband blocking, the GMSK modulated interfering signal shall have an ACLR of at least 72 dB in order to eliminate the impact of interference signal adjacent channel leakage power on the intermodulation characteristics measurement.

- 4) Measure the BER of the wanted signal at the BS receiver. For a BS supporting multi-carrier operation the BER shall be measured for all carriers specified by the test configuration.

NOTE: ETSI TS 125 141 [1], annex C describes the procedure for BER tests taking into account the statistical consequence of frequent repetition of BER measurements within the blocking test. The consequence is: a DUT exactly on the limit may fail due to the statistical nature 2,55 times (mean value) in 12 750 BER measurements using the predefined wrong decision probability of 0,02 %. If the fail cases are ≤ 12 , it is allowed to repeat the fail cases one time before the final verdict.

- 5) Interchange the connections of the BS RX antenna connectors and repeat the measurements according to steps 1) to 4).

In addition, for a multi-band capable BS with separate antenna connectors, the following steps shall apply:

- 6) For single-band tests, repeat the steps above per involved band where single-band test configurations and test models shall apply with no carrier activated in the other band.

The interfering signal shall first be applied on the same antenna connector as the wanted signal. The test shall be repeated with the interfering signal applied on the other port (if any) mapped to the same receiver as the wanted signal. Any antenna connector with no signal applied in case of single-band or multi-band test shall be terminated.

- 7) Repeat step 6) with the wanted signal for the other band(s) applied on the respective port(s).

The transmitter may be turned off for the out-of-band blocker tests when the frequency of the blocker is such that no IM2 or IM3 products fall inside the bandwidth of the wanted signal.

5.3.7.3 Test requirement

The results shall fulfil the conditions and limits of clause 4.2.8.2.

5.3.8 Receiver intermodulation characteristics

5.3.8.0 General

For a UTRA FDD BS additionally conforming to ETSI EN 301 908-18 [4], either the test suite of the present clause or the Receiver intermodulation test suite in clause 5.3.9 of ETSI EN 301 908-18 [4] can be equally applied, as listed in table 4.2.1-2.

5.3.8.1 Initial conditions

Test environment:

- Normal; see ETSI TS 125 141 [1], clause 4.4.1.

RF channels to be tested for single carrier operation:

- B, M and T; see clause 5.3.0.

BS RF Bandwidth positions to be tested for multi-carrier operation:

- B_{RFBW} , M_{RFBW} and T_{RFBW} in single-band operation; see clause 5.3.0.
- B'_{RFBW} , T'_{RFBW} and B'_{RFBW} , T'_{RFBW} in multi-band operation; see clause 5.3.0.

NOTE: An example of the measurement test setup is in ETSI TS 125 141 [1], annex B.

5.3.8.2 Procedures

- 1) Generate the wanted signal (reference signal) and set the signal level to the BS under test to the level specified in tables 4.2.9.2-1 to 4.2.9.2-6.

For a BS supporting multi-carrier operation, generate the wanted signal according to the applicable test configuration (see clause 4.12 in ETSI TS 125 141 [1]) using the applicable reference measurement channel to the BS under test. Power settings are specified in tables 4.2.9.2-1 to 4.2.9.2-6.

- 2) Adjust the signal generators to the type of interfering signal and frequency offset from the frequency of the wanted signal, as specified in tables 4.2.9.2-1 to 4.2.9.2-6. The type of the interfering signal is either equivalent to a continuous WCDMA signal with one code of chip frequency 3,84 Mchip/s, filtered by an RRC transmit pulse-shaping filter with roll-off $\alpha = 0,22$, a CW signal or a GMSK modulated signal; see tables 4.2.9.2-1 to 4.2.9.2-6.

For narrowband blocking, the GMSK modulated interfering signal shall have an ACLR of at least 72 dB in order to eliminate the impact of interference signal adjacent channel leakage power on the intermodulation characteristics measurement.

- 3) Adjust the level of interference signal at the BS input to the specified levels.
- 4) Measure the BER of the wanted signal. For a BS supporting multi-carrier operation, the BER shall be measured for all carriers specified by the test configuration.

In addition, for a multi-band capable BS with separate antenna connectors, the following steps shall apply:

- 5) For single-band tests, repeat the steps above per involved band where single-band test configurations shall apply with no carrier activated in the other band.

The interfering signal shall first be applied on the same port as the wanted signal. The test shall be repeated with the interfering signal applied on the other port (if any) mapped to the same receiver as the wanted signal. Any antenna connector with no signal applied in case of single-band or multi-band test shall be terminated.

- 6) Repeat the previous step with the wanted signal for the other band(s) applied on the respective port(s).

5.3.8.3 Test requirement

The results shall fulfil the conditions and limits of clause 4.2.9.2.

5.3.9 Receiver adjacent channel selectivity (ACS)

5.3.9.0 General

For a UTRA FDD BS additionally conforming to ETSI EN 301 908-18 [4], either the test suite of the present clause or the Narrowband blocking test suite in clause 5.3.10 of ETSI EN 301 908-18 [4] can be equally applied, as listed in table 4.2.1-2.

5.3.9.1 Initial conditions

Test environment:

- Normal; see ETSI TS 125 141 [1], clause 4.4.1.

RF channels to be tested for single carrier operation:

- B, M and T; see clause 5.3.0.

BS RF Bandwidth positions to be tested for multi-carrier operation:

- B_{RFBW} , M_{RFBW} and T_{RFBW} in single-band operation; see clause 5.3.0.
- $B_{\text{RFBW}}T_{\text{RFBW}}$ and $B'_{\text{RFBW}}T_{\text{RFBW}}$ in multi-band operation; see clause 5.3.0.

NOTE: An example of the measurement test setup is in ETSI TS 125 141 [1], annex B.

5.3.9.2 Procedure

- 1) Generate the wanted signal and adjust the ATT1 to set the input level to the Base Station under test to the level specified in tables 4.2.10.2-1 to 4.2.10.2-4.

For a BS supporting multi-carrier operation, generate the wanted signal according to the applicable test configuration (see clause 4.12 in ETSI TS 125 141 [1]) using the applicable reference measurement channel to the BS under test. Power settings are specified in tables 4.2.10.2-1 to 4.2.10.2-4.

- 2) Set-up the interference signal at the adjacent channel frequency and adjust the level of interference signal at the Base Station input as defined in tables 4.2.10.2-1 to 4.2.10.2-4. Note that the interference signal shall have an ACLR of at least 63 dB in order to eliminate the impact of interference signal adjacent channel leakage power on the ACS measurement.
- 3) Measure the BER of the wanted signal. For a BS supporting multi-carrier operation, the BER shall be measured for all carriers specified by the test configuration.
- 4) Repeat the test for the antenna connector(s), which was(were) terminated.

In addition, for a multi-band capable BS with separate antenna connectors, the following steps shall apply:

- 5) For single-band tests, repeat the steps above per involved band where single-band test configurations shall apply with no carrier activated in the other band.

The interfering signal shall first be applied on the same port as the wanted signal. The test shall be repeated with the interfering signal applied on the other port (if any) mapped to the same receiver as the wanted signal. Any antenna connector with no signal applied in case of single-band or multi-band test shall be terminated.

- 6) Repeat the previous step with the wanted signal for the other band(s) applied on the respective port(s).

5.3.9.3 Test requirement

The results shall fulfil the conditions and limits of clause 4.2.10.2.

5.3.10 Home BS output power for adjacent channel protection

5.3.10.1 Initial conditions

Test environment:

- Normal; see ETSI TS 125 141 [1], clause 4.4.1.

RF channels to be tested:

- M; see clause 5.3.0.

NOTE: An example of the measurement test setup is in ETSI TS 125 141 [1], annex B.

The Home BS is configured such that the adjacent channels shall be protected.

5.3.10.2 Procedure

- 1) Connect the combined downlink interfering signals (referred to as point D in figure B.7 of ETSI TS 125 141 [1]) to the dedicated measurement port (referred to as point 1 in figure B.7 of ETSI TS 125 141 [1]) if available, otherwise connect to point 2.
- 2) Configure the signal generator for co-channel interference to transmit AWGN over a 3,84 MHz bandwidth centred on RF channel M.
- 3) Configure the signal generator for adjacent channel DL signal to transmit test model TM1 in ETSI TS 125 141 [1] at the centre frequency equal to RF channel M + 5 MHz.
- 4) Switch on signal generators delivering co-channel and adjacent channel interfering signals, and adjust the power levels such that CPICH $\hat{E}_c = -80$ dBm and $I_{oh} = -50$ dBm.
- 5) Trigger the Home BS power adjustment mechanism.
- 6) Set the Home BS to transmit a signal in accordance to test model TM1 in ETSI TS 125 141 [1].

NOTE: The signal is transmitted with the maximum allowed output power.

- 7) Measure Home BS output power, P_{out} , and check it is below the required value according to the CPICH \hat{E}_c and I_{oh} values determined in step 4).
- 8) Repeat steps 3) to 7) with the frequency in step 3) set to RF channel M - 5 MHz.
- 9) Repeat steps 3) to 8) with different settings for the CPICH \hat{E}_c and I_{oh} pairs as specified in table 5.3.10.2-1.

Table 5.3.10.2-1: Test parameter settings

Test Case	CPICH \hat{E}_c (dBm)	I_{oh} (dBm)
1	-80	-50
2	-90	-60
3	-100	-70
4	-100	-50

5.3.10.3 Test requirement

The results shall fulfil the conditions and limits of clause 4.2.11.2.

5.3.11 Reference sensitivity level

5.3.11.0 General

The test is set up according to figure B.7 in clause B.2 in ETSI TS 125 141 [1] and performed without interfering signal power applied to the BS antenna connector. For duplex operation, the measurement configuration principle is indicated for one duplex branch in figure B.7 (see ETSI TS 125 141 [1]). For internal BER calculation, an example of the test connection is shown in figure B.7 (see ETSI TS 125 141 [1]). The reference point for signal power is at the input of the receiver (antenna connector).

5.3.11.1 Initial Conditions

Test environment:

- Normal; see ETSI TS 125 141 [1], clause 4.4.1.
- Extreme; see ETSI TS 125 141 [1], clauses 4.4.2 and 4.4.4.

RF channels to be tested:

- B, M and T; see clause 5.3.0.

In addition, on each of B, M and T, the test shall be performed under extreme power supply as defined in clause 4.4.4 of the ETSI TS 125 141 [1].

NOTE 1: Tests under extreme power supply also test extreme temperature; see ETSI TS 125 141 [1], clause 4.4.2.

NOTE 2: An example of the measurement test setup is in ETSI TS 125 141 [1], annex B.

Start transmitting 12,2 kbps DPCH with the reference measurement channel defined in annex A of the ETSI TS 125 104 [3] to the BS under test (PN-9 data sequence or longer).

Disable Transmit Power Control (TPC) function.

5.3.11.2 Procedure

- 1) Set the Base Station to transmit a signal according to TM1, as defined in ETSI TS 125 141 [1], at rated output power, $P_{\text{rated,c}}$.
- 2) Calculate BER according to annex C in ETSI TS 125 141 [1].
- 3) Set the test signal mean power as specified in table 4.2.12.2-1.
- 4) Measure BER.
- 5) Repeat the test for the port(s), which was(were) terminated.

In addition, for a multi-band capable BS, the following steps shall apply:

- 6) For multi-band capable BS and single band tests, repeat the steps above per involved band where single-carrier test models shall apply with no carrier activated in the other band.

For multi-band capable BS with a separate antenna connector, the antenna connector not being under test shall be terminated.

5.3.11.3 Test requirement

The results shall fulfil the conditions and limits of clause 4.2.12.2.

Annex A (informative): Relationship between the present document and the essential requirements of Directive 2014/53/EU

The present document has been prepared under the Commission's standardisation request C(2015) 5376 final [i.1] to provide one voluntary means of conforming to the essential requirements of Directive 2014/53/EU on the harmonisation of the laws of the Member States relating to the making available on the market of radio equipment and repealing Directive 1999/5/EC [i.2].

Once the present document is cited in the Official Journal of the European Union under that Directive, compliance with the normative clauses of the present document given in table A-1 confers, within the limits of the scope of the present document, a presumption of conformity with the corresponding essential requirements of that Directive and associated EFTA regulations.

Table A-1: Relationship between the present document and the essential requirements of Directive 2014/53/EU

Harmonised Standard ETSI EN 301 908-3					
Requirement				Requirement Conditionality	
No	Description	Essential requirements of Directive	Clause(s) of the present document	U/C	Condition
1	Spectrum emissions mask	3.2	4.2.2	U	
2	Adjacent channel leakage power ratio (ACLR)	3.2	4.2.3	U	
3	Transmitter spurious emissions	3.2	4.2.4	U	
4	Base Station maximum output power	3.2	4.2.5	U	
5	Transmit intermodulation	3.2	4.2.6	U	
6	Receiver spurious emissions	3.2	4.2.7	U	
7	Blocking characteristics	3.2	4.2.8	U	
8	Receiver intermodulation characteristics	3.2	4.2.9	U	
9	Receiver adjacent channel selectivity (ACS)	3.2	4.2.10	U	
10	Home BS output power for adjacent channel protection	3.2	4.2.11	C	Only applicable to Home Base Station
11	Reference sensitivity level	3.2	4.2.12	U	

Key to columns:

Requirement:

No A unique identifier for one row of the table which may be used to identify a requirement.

Description A textual reference to the requirement.

Essential requirements of Directive

Identification of article(s) defining the requirement in the Directive.

Clause(s) of the present document

Identification of clause(s) defining the requirement in the present document unless another document is referenced explicitly.

Requirement Conditionality:

U/C Indicates whether the requirement is unconditionally applicable (U) or is conditional upon the manufacturer's claimed functionality of the equipment (C).

Condition Explains the conditions when the requirement is or is not applicable for a requirement which is classified "conditional".

Presumption of conformity stays valid only as long as a reference to the present document is maintained in the list published in the Official Journal of the European Union. Users of the present document should consult frequently the latest list published in the Official Journal of the European Union.

Other Union legislation may be applicable to the product(s) falling within the scope of the present document.

Annex B (normative): Base Station configurations

B.1 Receive configurations

B.1.1 General

Receiver characteristics in clause 4 are specified for a single receiver antenna connector.

All tests in this clause shall be performed at the BS antenna connector (test port A) with a full complement of transceivers for the configuration in normal operation. If any external apparatus such as a RX amplifier, a filter or the combination of such devices is used, requirements apply at the far end antenna connector (test port B).

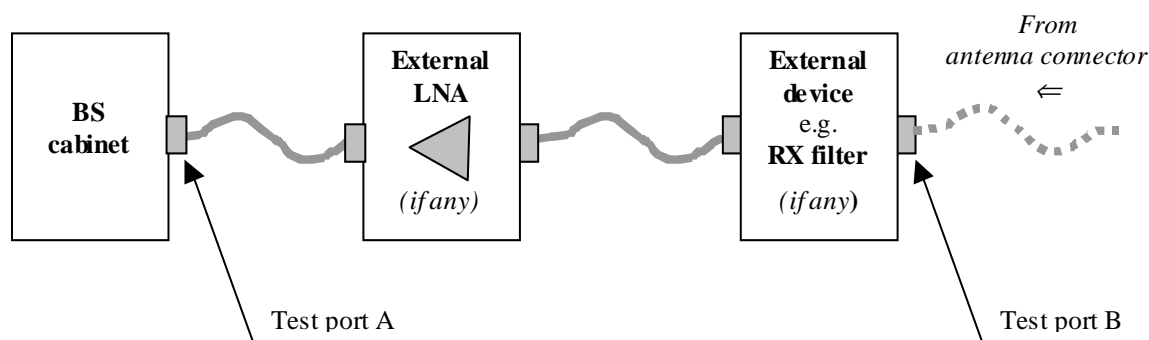


Figure B.1.1-1: Receiver test ports

B.1.2 Receiver diversity

For the tests in clause 5, the requirement shall apply at each receiver antenna connector for receivers with antenna diversity or in the case of multi-carrier reception with multiple receiver antenna connectors.

Receiver requirements are tested at the antenna connector, with the remaining receiver(s) disabled or their antenna connector(s) being terminated.

For a multi-band BS, multi-band tests for ACS, blocking and intermodulation are performed with the interfering signal(s) applied to each antenna connector mapped to the receiver for the wanted signal(s), however only to one antenna at a time. Antenna connectors to which no signals are applied are terminated.

B.2 Duplexers

The requirements of the present document shall be met with a duplexer fitted, if a duplexer is supplied as part of the BS.

B.3 Power supply options

If the BS is supplied with a number of different power supply configurations, it may not be necessary to test RF parameters for each of the power supply options, provided that it can be demonstrated that the range of conditions over which the equipment is tested is at least as great as the range of conditions due to any of the power supply configurations.

This applies particularly if a BS contains a DC rail which can be supplied either externally or from an internal mains power supply. In this case, the conditions of extreme power supply for the main power supply options can be tested by testing only the external DC supply option.

B.4 Ancillary RF amplifiers

The requirements of the present document shall be met with the ancillary RF amplifier fitted if an ancillary amplifier is part of the base station. At tests, according to clause 5, the ancillary amplifier is connected to the BS by a connecting network (including any cable(s), attenuator(s), etc.) with applicable loss to make sure the appropriate operating conditions of the ancillary amplifier and the BS. The applicable connecting network loss range is provided by the manufacturer. Other characteristics and the temperature dependence of the attenuation of the connecting network are neglected. The lowest value for connecting network loss is applied except in the base station output power test (clause 5.3.4) and reference sensitivity level test (clause 5.3.11) where highest connecting network loss value is applied.

Sufficient tests should be repeated with the ancillary amplifier fitted and, if it is optional, without the ancillary RF amplifier to verify that the BS meets the requirements of the present document in both cases.

When testing, the following tests should be repeated with the optional ancillary amplifier fitted according to table B.4-1, where x denotes that the test shall apply.

Table B.4-1: Table of tests applicable to Ancillary RF Amplifiers

	Clause	TX amplifier only	RX amplifier only	TX/RX amplifiers combined (notes 1, 2)
Receiver Tests	5.3.7		X	X
	5.3.8		X	X
	5.3.6		X	X
	5.3.11		X	X
Transmitter Tests	5.3.4	X		X
	5.3.2	X		X
	5.3.3	X		X
	5.3.5	X		X

NOTE 1: Combining can be by duplex filters or any other network. The amplifiers can either be in RX or TX branch or in both. Either one of these amplifiers could be a passive network.
NOTE 2: BS with both TX and RX amplifiers are tested once with both amplifiers active for each test.

B.5 BS using antenna arrays

B.5.0 Introduction

A BS may be configured with multiple antenna connectors for some or all of its transceivers or with an antenna array related to one cell (not one array per transceiver). This clause applies to a BS which meets at least one of the following conditions:

- the transmitter output signals from one or more transceivers appear at more than one antenna connector; or
- there is more than one receiver antenna connector for a transceiver or per cell, and an input signal is required at more than one antenna connector for the correct operation of the receiver, thus the outputs from the transmitters, as well as the inputs to the receivers, are directly connected to several antennas (known as "air combining"); or

NOTE: Diversity reception does not meet this requirement.

- transmitters and receivers are connected via duplexers to more than one antenna.

In case of diversity or MIMO, multiple antennas are not considered as an antenna array.

If a BS is used, in normal operation, in conjunction with an antenna system which contains filters or active elements which are necessary to meet the UTRA requirements, the conformance tests may be performed on a system comprising the BS together with these elements, supplied separately for the purposes of testing. In this case, it shall be demonstrated that the performance of the configuration under test is representative of the system in normal operation, and the conformance assessment is only applicable when the BS is used with the antenna system.

For conformance testing of such a BS, the following procedure may be used.

B.5.1 Receiver tests

For each test, the test signals applied to the receiver antenna connectors shall be such that the sum of the powers of the signals applied equals the power of the test signal(s) specified in the test.

An example of a suitable test configuration is shown in figure B.5.1-1.

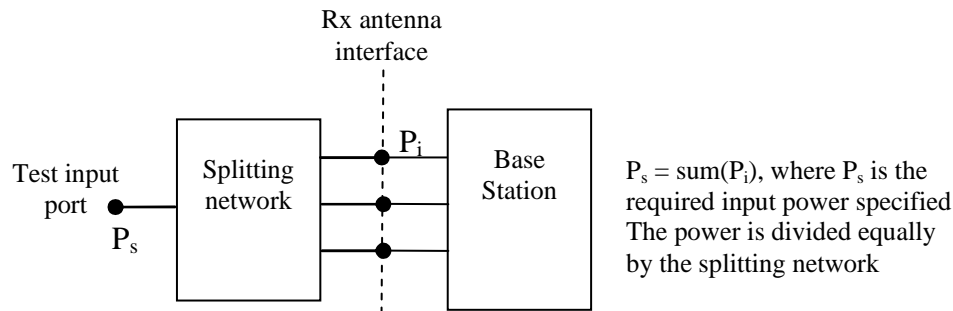


Figure B.5.1-1: Receiver test set-up

For spurious emissions from the receiver antenna connector, the test may be performed separately for each receiver antenna connector.

B.5.2 Transmitter tests

For each test, the test signals applied to the transmitter antenna connectors (P_i) shall be such that the sum of the powers of the signals applied equals the power of the test signal(s) (P_s) specified in the test. This may be assessed by separately measuring the signals emitted by each antenna connector and summing the results, or by combining the signals and performing a single measurement. The characteristics (e.g. amplitude and phase) of the combining network should be such that the power of the combined signal is maximized.

An example of a suitable test configuration is shown in figure B.5.2-1.

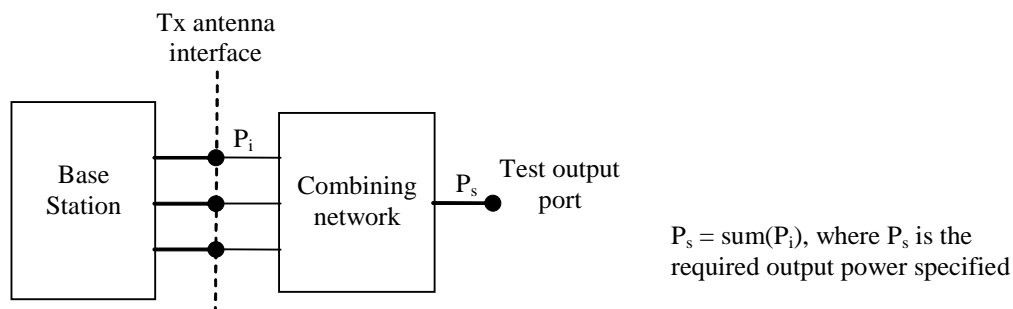


Figure B.5.2-1: Transmitter test set-up

For intermodulation attenuation, the test may be performed separately for each transmitter antenna connector.

B.6 Transmit configurations

B.6.1 General

Transmitter characteristics in clause 4 are specified for a single transmitter antenna connector. In case of transmit diversity, DB-DC-HSDPA or MIMO transmission, the requirements apply for each transmitter antenna connector.

A BS supporting DC-HSDPA and DB-DC-HSDPA transmits two cells simultaneously. A BS supporting DC-HSDPA transmits two cells simultaneously on adjacent carrier frequencies.

All tests in this clause shall be performed at the BS antenna connector (test port A) with a full complement of transceivers for the configuration in normal operation. If any external apparatus such as a TX amplifier, a filter or a combination of such devices is used, requirements apply at the far end antenna connector (test port B).

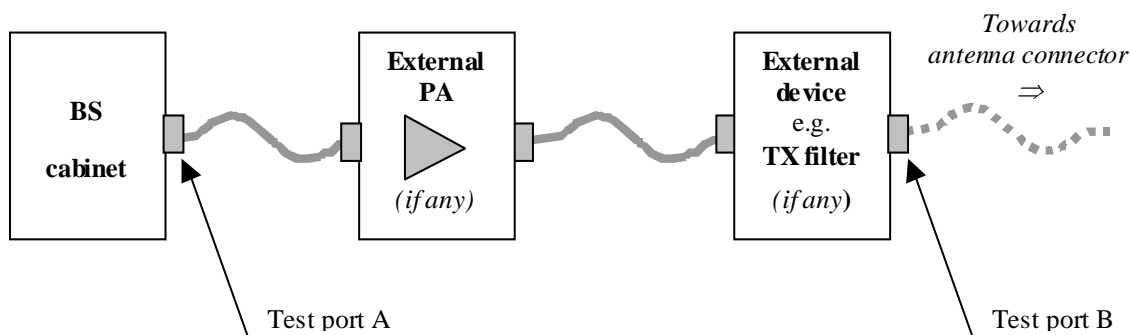


Figure B.6.1-1: Transmitter test ports

B.6.2 Diversity and MIMO transmission

For the tests in clause 5, the requirement shall apply for each transmitter antenna connector in case of transmit diversity, DB-DC-HSDPA or MIMO transmission.

Transmitter requirements are tested at the antenna connector, with the remaining antenna connector(s) being terminated.

B.7 BS with integrated Iuant BS modem

For the tests in the present document, the integrated Iuant BS modem shall be switched off. Spurious emissions according to clauses 5.3.3 and 5.3.6 shall be measured only for frequencies above 20 MHz with the integrated Iuant BS modem switched on.

Annex C (informative): Maximum Measurement Uncertainty

The measurements described in the present document are based on the following assumptions:

- the measured value related to the corresponding limit is used to decide whether an equipment meets the requirements of the present document;
- the value of the measurement uncertainty for the measurement of each parameter is included in the test report.

For the test methods, the recommended values of the maximum measurement uncertainty are calculated and correspond to an expansion factor (coverage factor) $k = 1,96$ (which provide a confidence level of 95 % in the case where the distributions characterizing the actual measurement uncertainties are normal (Gaussian)). Principles for the calculation of measurement uncertainty are contained in ETSI TR 100 028 [i.6], in particular in annex D of ETSI TR 100 028-2 [i.6].

Table C-1 shows the recommended values for the maximum measurement uncertainty figures.

Table C-1: Maximum measurement uncertainty

Parameter	Conditions	Uncertainty
Spectrum emissions mask	$f \leq 3,0$ GHz	$\pm 1,5$ dB
	$3,0$ GHz $< f \leq 4,2$ GHz	$\pm 1,8$ dB
Adjacent Channel Leakage power Ratio (ACLR)	ACLR limit	$\pm 0,8$ dB
	CACLR	$\pm 0,8$ dB
	Adjacent channel power limit	$\pm 2,0$ dB
	Absolute limit for Home BS $\pm 1,5$ dB, $f \leq 3,0$ GHz Absolute limit for Home BS $\pm 1,8$ dB, $3,0$ GHz $< f \leq 4,2$ GHz	
Transmitter spurious emissions	For general requirements: $f \leq 2,2$ GHz	$\pm 1,5$ dB
	$2,2$ GHz $< f \leq 4$ GHz	$\pm 2,0$ dB
	4 GHz $< f < 19$ GHz	$\pm 4,0$ dB
	For co-existence requirements for > -60 dBm: $f \leq 3,0$ GHz	$\pm 2,0$ dB
	$3,0$ GHz $< f \leq 4,2$ GHz	$\pm 2,5$ dB
	for ≤ -60 dBm: $f \leq 3,0$ GHz	$\pm 3,0$ dB
$3,0$ GHz $< f \leq 4,2$ GHz	$\pm 3,5$ dB	
	For protection of the BS receiver	$\pm 3,0$ dB
Base Station maximum output power, Home BS output power for adjacent channel protection	$f \leq 3,0$ GHz	$\pm 0,7$ dB
	$3,0$ GHz $< f \leq 4,2$ GHz	$\pm 1,0$ dB
Transmit intermodulation	For spectrum emissions mask	$\pm 2,5$ dB
	For ACLR	$\pm 2,2$ dB
	For "Spurious emissions": $f \leq 2,2$ GHz	$\pm 2,5$ dB
	$2,2$ GHz $< f \leq 4$ GHz	$\pm 2,8$ dB
	$f > 4$ GHz	$\pm 4,5$ dB
	For co-existence requirements Interference signal	$\pm 2,8$ dB $\pm 1,0$ dB
Receiver spurious emissions	For BS receive bands (-78 dBm) $f \leq 3,0$ GHz	$\pm 3,0$ dB
	$3,0$ GHz $< f \leq 4,2$ GHz	$\pm 3,5$ dB
	Outside the BS receive bands: $f \leq 2,2$ GHz	$\pm 2,0$ dB
	$2,2$ GHz $< f \leq 4$ GHz	$\pm 2,0$ dB
	4 GHz $< f < 19$ GHz	$\pm 4,0$ dB

Parameter	Conditions	Uncertainty
Blocking characteristics	For offset < 15 MHz	$\pm 1,4$ dB
	For offset ≥ 15 MHz and:	
	$f \leq 2,2$ GHz	$\pm 1,1$ dB
	$2,2$ GHz < $f \leq 4$ GHz	$\pm 1,8$ dB
	$f > 4$ GHz	$\pm 3,2$ dB
Receiver intermodulation characteristics	$f \leq 3,0$ GHz	$\pm 1,3$ dB
	$3,0$ GHz < $f \leq 4,2$ GHz	$\pm 2,3$ dB
Receiver Adjacent Channel Selectivity (ACS)	$f \leq 3,0$ GHz	$\pm 1,1$ dB
	$3,0$ GHz < $f \leq 4,2$ GHz	$\pm 1,5$ dB
Reference sensitivity level	$f \leq 3,0$ GHz	$\pm 0,7$ dB
	$3,0$ GHz < $f \leq 4,2$ GHz	$\pm 1,0$ dB
NOTE 1: For RF tests it should be noted that the uncertainties in this table apply to the test system operating into a nominal 50Ω load and do not include system effects due to mismatch between the EUT and the test system.		
NOTE 2: Annex G of ETSI TR 100 028-2 [i.6] provides guidance for the calculation of the uncertainty components relating to mismatch.		

Annex D (informative): Checklist

This annex provides a traceability of the technical parameters for article 3.2 of Directive 2014/53/EU [i.2] defined in ETSI EG 203 336 [i.3] with the technical requirements for conformance defined in clause 4 of the present document.

If a technical parameter for article 3.2 of Directive 2014/53/EU [i.2] defined in ETSI EG 203 336 [i.3] has not been included in the present document, an explanation is provided. More details are included in ETSI TR 103 877 [i.20].

An explanation is also provided whenever a technical parameter defined in ETSI EG 203 336 [i.3] is covered by an alternative technical requirement.

Table E.1: Checklist

Technical Parameters defined in ETSI EG 203 336 [i.3]	Clauses of the present document	Comments
Transmitter Parameters		
Transmitter Spectrum mask	4.2.2	
Transmitter unwanted emissions in the out-of-band domain	4.2.3	
Transmitter unwanted emissions in the spurious domain	4.2.4	
Transmit power limits	N/A	See clause 4.2.2 in ETSI TR 103 877 [i.20].
Transmit power accuracy	4.2.5 4.2.10	
Transmitter Frequency stability	N/A	See clause 4.2.3 in ETSI TR 103 877 [i.20].
Transmitter Intermodulation attenuation	4.2.6	Not considered for FR2. See clause 4.2.4 in ETSI TR 103 877 [i.20].
Transmitter Time domain characteristics (e.g. the duty cycle, turn-on and turn-off, frequency hopping cycle, dynamic changes of modulation scheme and others)	N/A	See clause 4.2.5 in ETSI TR 103 877 [i.20].
Transmitter Transients	N/A	See clause 4.2.6 in ETSI TR 103 877 [i.20].
Receiver Parameters		
Receiver sensitivity	4.2.12	
Receiver co-channel rejection	N/A	See clause 4.2.7 in ETSI TR 103 877 [i.20].
Adjacent band/channel selectivity	4.2.10	
Spurious response rejection	N/A	See clause 4.2.8 in ETSI TR 103 877 [i.20].
Receiver blocking	4.2.8	
Receiver radio-frequency intermodulation	4.2.9	
Receiver unwanted emissions in the spurious domain	4.2.7	
Receiver dynamic range	N/A	See clause 4.2.9 in ETSI TR 103 877 [i.20].
Reciprocal mixing	N/A	See clause 4.2.9 in ETSI TR 103 877 [i.20].

Annex E (informative): Bibliography

- [Directive 2014/30/EU](#) of the European Parliament and of the Council of 26 February 2014 on the harmonisation of the laws of the Member States relating to electromagnetic compatibility (recast). This one is Applicable from 20 April 2016 and repeals the Directive 2004/108/EC.
- [Directive 2014/35/EU](#) of the European Parliament and of the Council of 26 February 2014 on the harmonisation of the laws of the Member States relating to the making available on the market of electrical equipment designed for use within certain voltage limits (recast) (LV Directive).
- [CEPT/ERC/REC 74-01 \(29 May 2019\)](#): "Unwanted Emissions in the Spurious Domain".
- [Regulation \(EU\) No 1025/2012](#) of the European Parliament and of the Council of 25 October 2012 on European standardisation amending Council Directives 89/686/EEC and 93/15/EEC and Directives 94/9/EC, 94/25/EC, 95/16/EC, 97/23/EC, 98/34/EC, 2004/22/EC, 2007/23/EC, 2009/23/EC and 2009/105/EC of the European Parliament and of the Council and repealing Council Decision 87/95/EEC and Decision No 1673/2006/EC of the European Parliament and of the Council.

Annex F (informative): Change history

Version	Information about changes
V0.0.1	First draft using new skeleton and content from Rel-13 published version
V0.0.2	Final draft for discussion before the TFES #74. Alignment with newest changes on part 24, given the feedback from HAS during 2022.
V0.0.3	Final draft submitted to TFES #75
V0.0.4	Final draft
V0.0.5	Final draft - clean version of v.0.0.4
V0.0.6	Final draft sent to HAS review
V0.0.7	Revised draft after HAS review
V0.0.8	Revised during the resolution meeting in TFES #78

History

Document history		
V1.1.1	January 2002	Publication
V2.2.1	October 2003	Publication
V3.2.1	May 2007	Publication
V4.2.1	March 2010	Publication
V5.2.1	July 2011	Publication
V6.2.1	October 2013	Publication
V7.1.1	July 2015	Publication
V11.1.1	May 2016	Publication
V11.1.2	July 2016	Publication
V11.1.3	April 2017	Publication
V13.1.1	September 2019	Publication
V15.0.0	February 2024	SRdAP process EV 20240507: 2024-02-07 to 2024-05-07
V15.1.1	May 2024	Publication